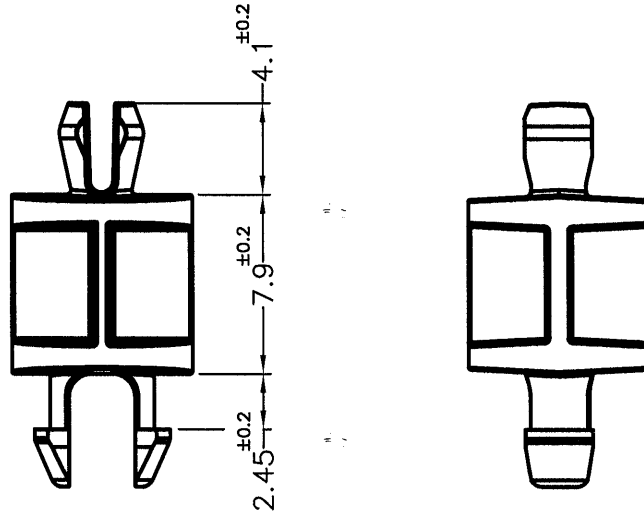


REVISIONS			
REV	DESCRIPTION	DATE	BY



P.C.B ϕ 3.3mm
P.C.B THICKNESS 1.6mm



MOUNTING HOLE
P.C.B THICKNESS 2.16mm

PART NO.	COLOR
MSPD-7.9	NATURAL
MSPD-7.9(BU)	BLUE

NOTE:MADE OF EQUIVALENT MATERIAL.
可使用同等材質。

 <p>康揚企業股份有限公司 KANG YANG HARDWARE ENTERPRISE CO., LTD. 康揚塑膠(東莞)有限公司 KANG YANG PLASTIC(DONG GUAN) CO., LTD. ISO 9001 ISO 14001 QC 080000 康哲電腦配件(吳江)有限公司 KANG CHE COMPUTER COMPONENTS(WUJIANG) CO., LTD.</p>	TITLE SPACER SUPPORT		SPEC. DWG.	
	MATERIAL NYLON 66 UL94V-2		DATE 2011.08.23	
	HARDNESS		DRAWN T.C	
	COLOR SEE ABOVE		CHECK 	
PART NUMBER SEE ABOVE	DRAWING NUMBER MSPD-7.9		UNLESS OTHERWISE SPECIFIED TOLERANCE SEE ABOVE	
SIZE A4	SCALE 3:1	UNIT mm	REV B	APPROVED 