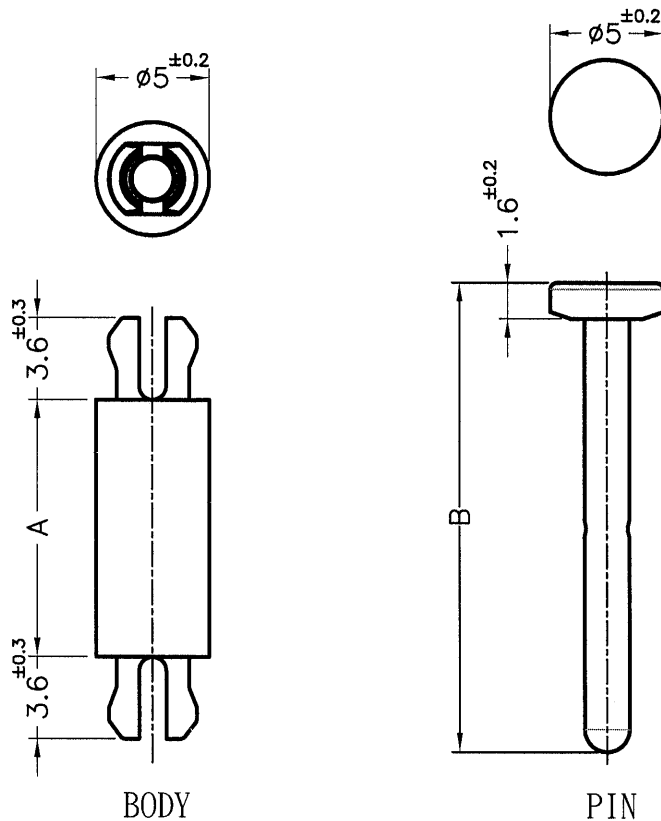


DIM.	TOL
L≤10	±0.2
10<L≤30	±0.3
30<L≤50	±0.5
50<L≤100	±0.7
100<L≤250	±1.2
ABOVE 250	±1.5

REVISIONS			
REV	DESCRIPTION	DATE	BY




HOLE IN P.C.B $\phi 3.3$ mm
P.C.B THICKNESS 1.6mm



HOLE IN P.C.B $\phi 3.3$ mm
P.C.B THICKNESS 1.6mm

PART NO.	A	B
MSPF3.3-8	8.0	17.35
MSPF3.3-17.5	17.5	26.3

NOTE:MADE OF EQUIVALENT MATERIAL.
可使用同等材質。

 <p>康揚企業股份有限公司 KANG YANG HARDWARE ENTERPRISE CO., LTD. 康揚塑膠(東莞)有限公司 KANG YANG PLASTIC(DONG GUAN) CO., LTD. 康哲電腦配件(吳江)有限公司 KANG CHE COMPUTER COMPONENTS(WUJIANG) CO., LTD.</p>				TITLE	SPACER SUPPORT	SPEC. DWG	
				MATERIAL	NYLON 66 UL94V-2	DATE	2015.12.11
				FINISH		DRAWN	LUKE
				COLOR	NATURAL	CHECK	
PART NUMBER	SEE ABOVE	DRAWING NUMBER	MSPF3.3-H	UNLESS OTHERWISE SPECIFIED TOLERANCE	SEE ABOVE	APPROVED	
SIZE	A4	SCALE	NONE	UNIT	mm	REV	B