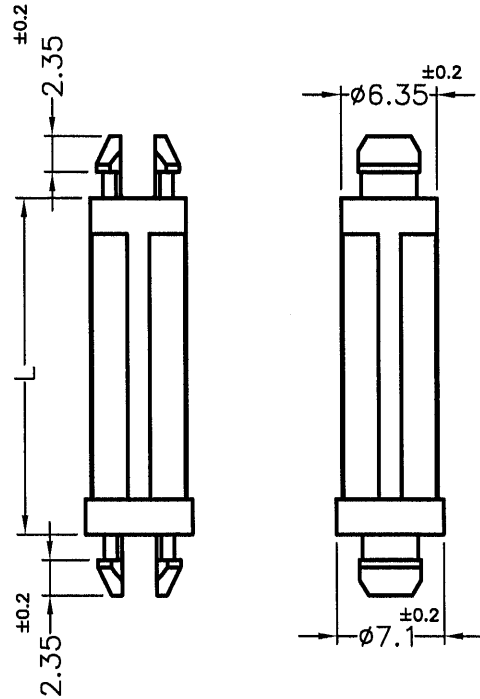


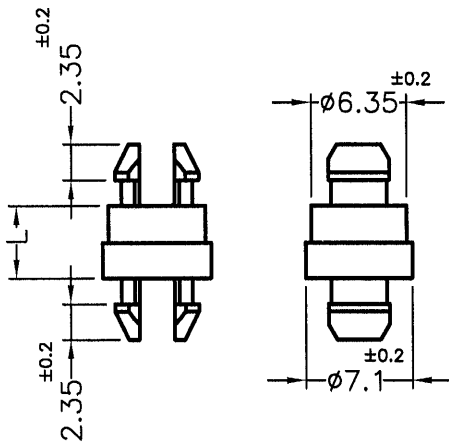
DIM.	TOL
L≤10	±0.2
10<L≤30	±0.3
30<L≤50	±0.5
50<L≤100	±0.7
100<L≤250	±1.2
ABOVE 250	±1.5

REVISIONS			
REV	DESCRIPTION	DATE	BY

HOLE IN P.C.B: $\phi 4.8$
P.C.B THICKNESS:1.6



HOLE IN P.C.B: $\phi 4.8$
P.C.B THICKNESS:1.6





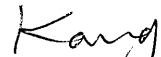
HOLE IN P.C.B: $\phi 4.8$
P.C.B THICKNESS:1.6

HOLE IN P.C.B: $\phi 4.8$
P.C.B THICKNESS:1.6

PART NO.	L
MSPK4.8-4.8	4.8

PART NO.	L
MSPK4.8-6.4	6.4
MSPK4.8-9.5	9.5
MSPK4.8-12.7	12.7
MSPK4.8-15.9	15.9
MSPK4.8-19.1	19.1
MSPK4.8-22.2	22.2
MSPK4.8-25.4	25.4
MSPK4.8-31.7	31.7

NOTE:MADE OF EQUIVALENT MATERIAL.
均可使用同等材質.

 <p>康揚企業股份有限公司 KANG YANG HARDWARE ENTERPRISE CO., LTD. 康揚塑膠(東莞)有限公司 KANG YANG PLASTIC(DONG GUAN)CO.,LTD. 康哲電腦配件(吳江)有限公司 KANG CHE COMPUTER COMPONENTS(WUJIANG) CO.,LTD.</p>		TITLE	SPACER SUPPORT	SPEC. DWG
		MATERIAL	NYLON 66 UL94V-2	DATE
PART NUMBER		FINISH	DRAWN	LUKE
SEE ABOVE		COLOR	CHECK	
DRAWING NUMBER		UNLESS OTHERWISE SPECIFIED TOLERANCE	APPROVED	
SIZE	SCALE	UNIT	REV	
A4	2:1	mm	B	