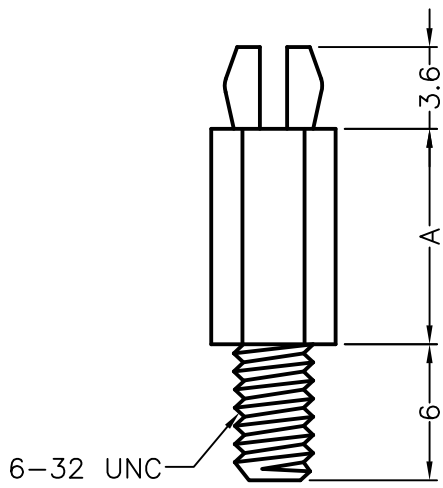


PCB  $\phi$ 4.0  
THICKNESS 1.2~1.7mm



PART.NO	A
MSPS-3	3.2

數值請依照目錄