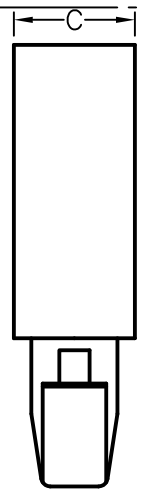
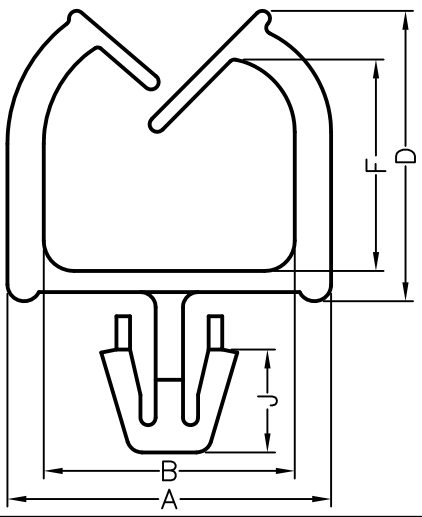


HOLE : G
 THICKNESS: T



PART NO.	A	B	C	D	F	G	J	T
MWS-15	10.7	8.3	4	9.6	7	3.0	3.4	1.6
MWS-15S							2.4	

NOTE: A, D