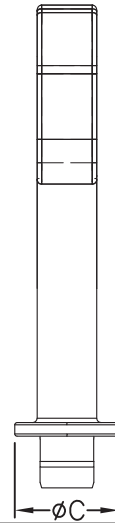
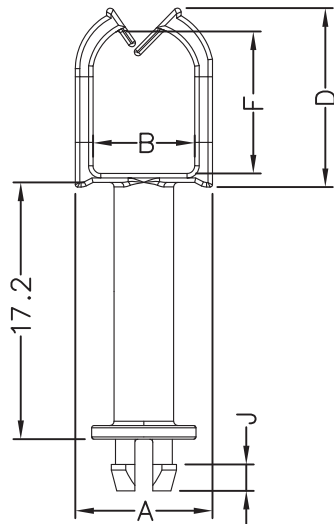


HOLE : ϕG
THICKNESS: T



PART NO.	A	B	C	D	F	G	J	T
MWSA-17.2	9.2	6.8	7	12	9.5	3.8	1.8	1.7

NOTE: A, D