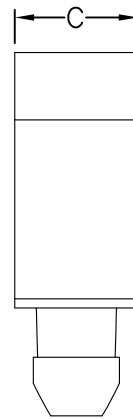
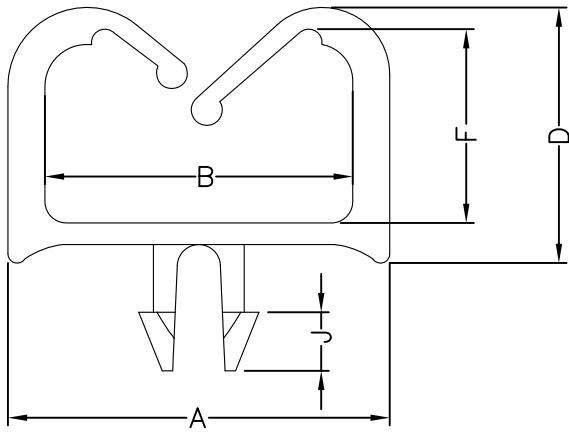


HOLE : G
THICKNESS: T



PART NO.	A	B	C	D	F	G	J	T
MWSC-2	12.4	10	4	8.3	6.3	3	1.9	1.5
MWSC-2L								2

NOTE:A, D