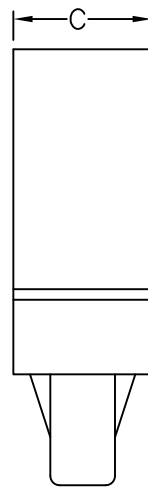
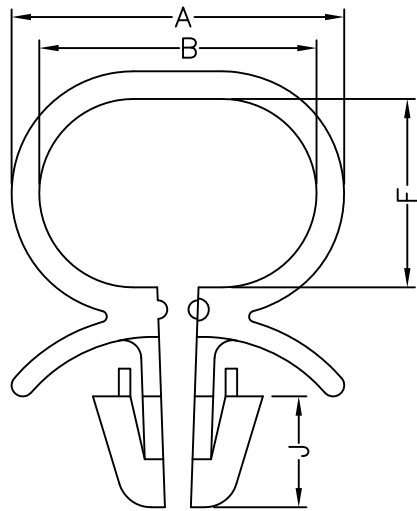


HOLE :  $\phi G$   
THICKNESS: T



PART NO.	A	B	C	F	G	J	T
OCCB-15	18	15	7.5	10.2	6~6.5	6	0.8~2.5

NOTE:A, D