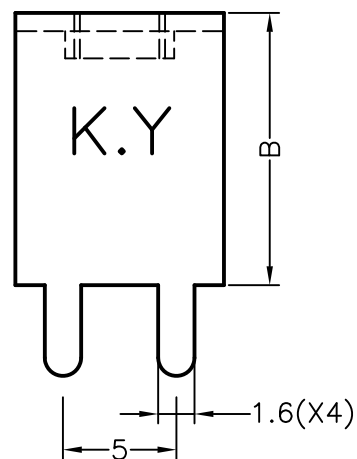
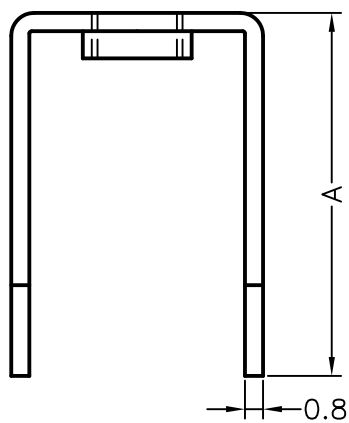


MOUNTING HOLES



T= THREAD

代號A, B, T請依目錄

PART NO.	A	B	T
PCB-27(M3)			
PCB-27(M4)			
PCB-28(M3)			
PCB-28(M4)			