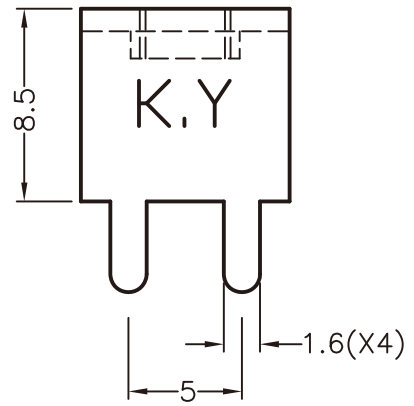
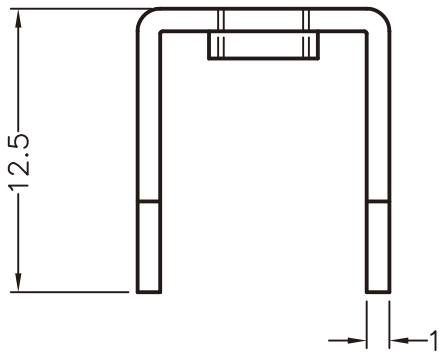


MOUNTING HOLES



代號T請依目錄

T=THREAD

PART NO.	T
PCB-7	M3x0.5
PCB-7(M4)	M4x0.7
PCB-7(632)	6-32 UNC