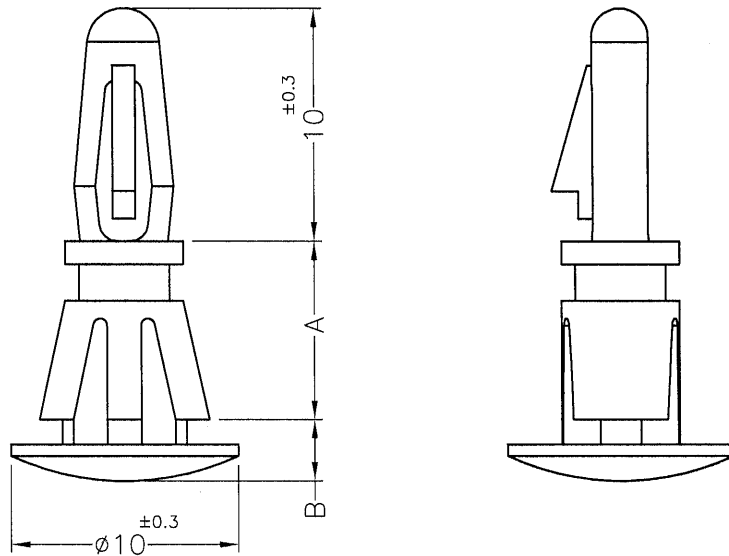


| DIM. | TOL |
|----------|------|
| 5mm DOWN | ±0.2 |
| 5~20mm | ±0.3 |
| 20~40mm | ±0.4 |
| 40~60mm | ±0.5 |
| 60~100mm | ±0.8 |
| 100mm UP | ±1.0 |

| REVISIONS | | | |
|-----------|-------------|------|----|
| REV | DESCRIPTION | DATE | BY |
| | | | |
| | | | |


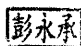

HOLE IN P.C.B: $\phi 4.0\text{mm}$
THICKNESS: 1.6mm



HOLE IN CHASSIS: $\phi 5.5\text{mm}$
THICKNESS: 1.0~1.7mm

| PART NO. | A | B |
|----------|------|-----|
| PCBS-8 | 7.9 | 3.2 |
| PCBS-10 | 10.0 | 3.2 |
| PCBS-12A | 12.0 | 3.2 |
| PCBS-12 | 12.7 | 2.7 |

- NOTE: 1. SHRINKING IS NORMAL STATUS.
內縮為正常現象。
2. MADE OF EQUIVALENT MATERIAL.
均可使用同等材質。

| | | | | | | | |
|--|-----------|----------------|--------|--------------------------------------|------------------|------------|---|
|  <p>康揚企業股份有限公司 KANG YANG HARDWARE ENTERPRISE CO., LTD. 康揚塑膠(東莞)有限公司 KANG YANG PLASTIC(DONG GUAN) CO., LTD. 康哲電腦配件(吳江)有限公司 KANG CHE COMPUTER COMPONENTS(WUJIANG) CO., LTD.</p> | | | | TITLE | SPACER SUPPORT | SPEC. DWG. | |
| | | | | MATERIAL | NYLON 66 UL94V-2 | DATE | 2002.11.08 |
| | | | | FINISH | | DRAWN | S.J.C. |
| | | | | COLOR | NATURAL | CHECK |  |
| PART NUMBER | SEE ABOVE | DRAWING NUMBER | PCBS-H | UNLESS OTHERWISE SPECIFIED TOLERANCE | SEE ABOVE | APPROVED |  |
| SIZE | A4 | SCALE | NONE | UNIT | mm | REV | C |