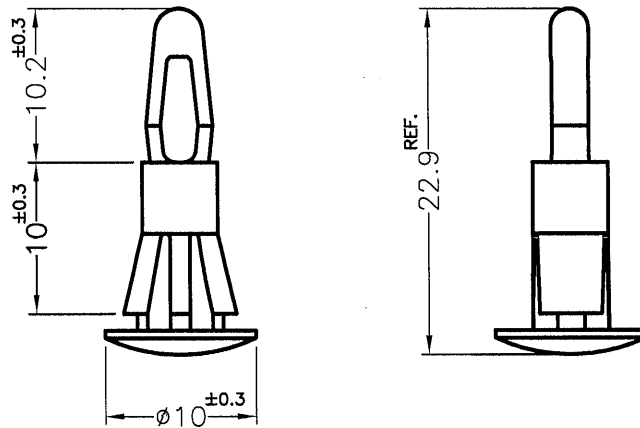


REVISIONS			
REV	DESCRIPTION	DATE	BY


HOLE IN P.C.B:  $\phi 4.0\text{mm}$   
P.C.B THICKNESS: 1.6mm



MOUNTING HOLE  $\phi 5.5\text{mm}$   
CHASSIS THICKNESS 1.0~1.7mm

PART NO.	COLOR
PCBT-10	NATURAL
PCBT-10(B)	BLACK

- NOTE: 1. SHRINKING IS NORMAL STATUS.  
內縮為正常現象。  
2. MADE OF EQUIVALENT MATERIAL.  
均可使用同等材質。

 <p>康揚企業股份有限公司 KANG YANG HARDWARE ENTERPRISE CO., LTD. 康揚塑膠(東莞)有限公司 KANG YANG PLASTIC(DONG GUAN) CO., LTD. 康哲電腦配件(吳江)有限公司 KANG CHEE COMPUTER COMPONENTS(WUJIANG) CO., LTD.</p>				TITLE	SPEC. DWG.
				MATERIAL	DATE
				FINISH	DRAWN
				COLOR	CHECK
PART NUMBER	DRAWING NUMBER	UNLESS OTHERWISE SPECIFIED TOLERANCE	APPROVED		
SEE ABOVE	PCBT-H	SEE ABOVE	<i>Will</i>		
SIZE	SCALE	UNIT	REV		
A4	2:1	mm	B		

*Kang*