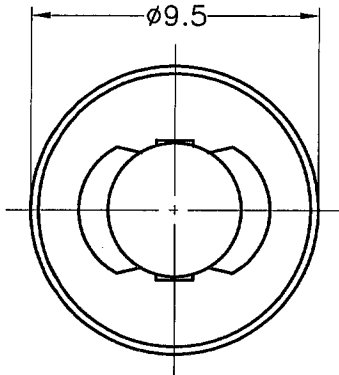
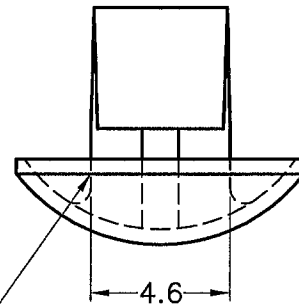
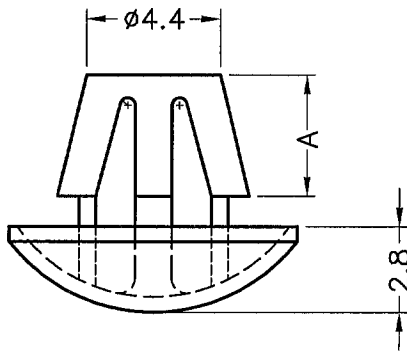


成型尺寸	公差
5mm 以下	±0.2
5~20mm	±0.3
20~40mm	±0.4
40~60mm	±0.5
60~100mm	±0.8
100mm 以上	±1.0

REVISIONS			
REV	DESCRIPTION	DATE	BY



PART NO.	A
RAD-3	3.0
RAD-4	4.0



HOLE IN P.C.B  $\phi 4.8$   
P.C.B THICKNESS 0.8~1.2

QMFZ2 Component - Plastics  
E I DUPONT DE NEMOURS & CO INC  
ENGINEERING POLYMERS CHESTNUT RUN PLAZA PO BOX 80713 WILMINGTON DE 19880

Wednesday, September 15, 2004

B41938

Material Designation: 101(+)(f1), 101F(+)(f1), 101L(+)(f1), E101(+)(f1), E101L(f1), 132F(+)(f1), 135F(+)(f1)  
Product Description: Polyamide 66 (PA66), designated "Zytel" furnished as pellets.

Color	Min. Thick. (mm)	Flame Class	HWI	HAI	RTI Elec	RTI Imp	RTI Str	IBC GWIT	IBC GWHI
ALL	0.71	V-2	4	0	130	75	85	725	960
	1.5	V-2	3	0	130	75	85	750	960
	3	V-2	2	0	130	75	85	800	960
	6	V-2	2	0	130	75	85	800	960


CTI: 0 HVTR: 0 D495: 6 IBC Ball Pressure (C):-  
Dielectric Strength (KV/mm): 13 Volume Resistivity (10<sup>10</sup>ohm-cm): 14 Dimensional Stability(%):-  
ISO Tensile Strength (MPa):- ISO Flaxural Strength (MPa):- ISO Heat Deflection (C):-  
ISO Tensile Impact (kJ/m<sup>2</sup>):- ISO Izod Impact (kJ/m<sup>2</sup>):- ISO Charpy Impact (kJ/m<sup>2</sup>):-  
(+) Virgin and regrid up to 50% by weight inclusive, have the same basic material characteristics.  
(f1) Suitable for outdoor use with respect to exposure to Ultraviolet Light, Water Exposure and Immersion in accordance with UL 746C.

NOTE (1) Material designations that are color pigmented may be followed by suffix letters and numbers. (2) Material designations may be prefixed by "ZYT" or "MIN" or "ZEN" or "DEL" or "CRA" or "RYN".

Report Date: 7/29/1996

Underwriters Laboratories Inc®

UL94 small-scale test data does not pertain to building materials, furnishings and related contents. UL 94 small-scale test data is intended solely for determining the flammability of plastic materials used in components and parts of end-product devices and appliances, where the acceptability of the combination is determined by UL.

 <p>康揚企業股份有限公司 KANG YANG HARDWARE ENTERPRISE CO., LTD. 康揚塑膠(東莞)有限公司 KANG YANG PLASTIC(DONG GUAN) CO., LTD. 康哲電腦配件(吳江)有限公司 KANG CHE COMPUTER COMPONENTS(WUJIANG) CO., LTD.</p>				TITLE	PC板間隔柱	產品規格圖面	
				MATERIAL	NYLON 66 UL94V-2	DATE	2007.08.07
				FINISH		DRAWN	BUNNY
				COLOR	NATURAL	CHECK	宋萍
PART NUMBER	SEE ABOVE	DRAWING NUMBER	RAD-H	UNLESS OTHERWISE SPECIFIED TOLERANCE	SEE ABOVE	APPROVED	Kang
SIZE	A4	SCALE	NONE	UNIT	mm	REV	B