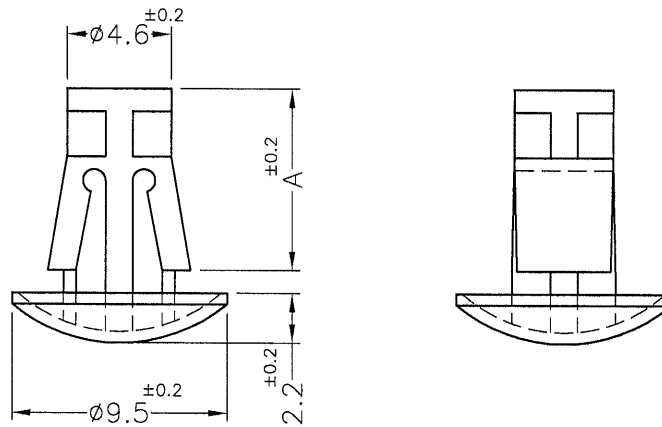




REVISIONS			
REV	DESCRIPTION	DATE	BY



HOLE IN P.C.B: $\phi 4.8\text{mm}$
 THICKNESS: 0.8~1.2mm

PART NO.	A
RAD-6	6.3
RAD-8	8.0
RAD-10	10.0
RAD-11	11.0

NOTE: 1. SHRINKING IS NORMAL STATUS.
 內縮為正常現象。
 2. MADE OF EQUIVALENT MATERIAL.
 均可使用同等材質。

 <p>康揚企業股份有限公司 KANG YANG HARDWARE ENTERPRISE CO., LTD. 康揚塑膠(東莞)有限公司 KANG YANG PLASTIC(DONG GUAN) CO., LTD. 康哲電腦配件(吳江)有限公司 KANG CHE COMPUTER COMPONENTS(WUJIANG) CO., LTD.</p>				TITLE	SPEC. DWG.
				MATERIAL	DATE
				FINISH	DRAWN
				COLOR	CHECK
PART NUMBER	DRAWING NUMBER	UNLESS OTHERWISE SPECIFIED TOLERANCE	APPROVED		
SEE ABOVE	RAD-HH	NATURAL	SEE ABOVE		
SIZE A4	SCALE 3:1	UNIT mm	REV A		