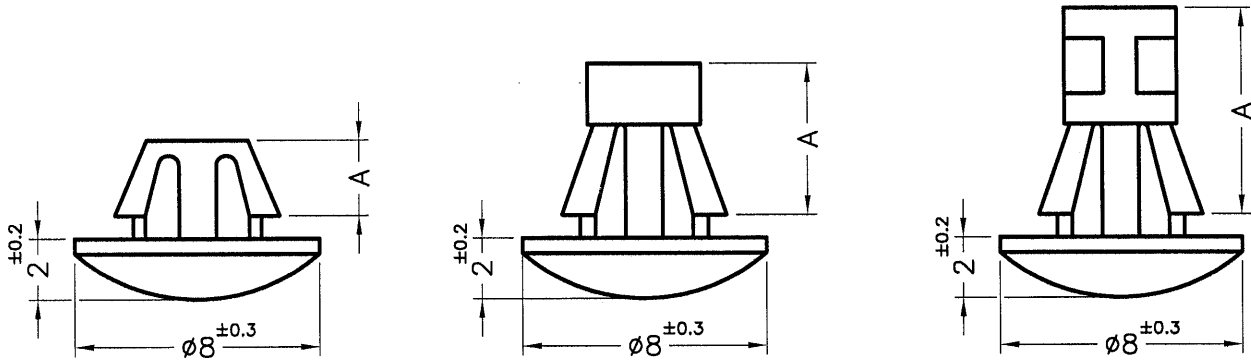


DIM	TOL
5mm DOWN	±0.2
5~20mm	±0.3
20~40mm	±0.4
40~60mm	±0.5
60~100mm	±0.8
100mm UP	±1.0

REVISIONS			
REV	DESCRIPTION	DATE	BY



HOLE IN CHASSIS $\phi 4.0$
CHASSIS THICKNESS 0.8~1.6

PART NO.	A
RAMA-2.5	2.5

PART NO.	A
RAMA-3	3.2
RAMA-4	4.0
RAMA-4.5	4.5
RAMA-5	5.0
RAMA-5.5	5.5

PART NO.	A
RAMA-6	6.0
RAMA-6.4	6.4
RAMA-7	7.0
RAMA-7.5	7.5
RAMA-8	8.0
RAMA-9	9.0
RAMA-9.5	9.5
RAMA-10	10.0
RAMA-11.1	11.1
RAMA-12	12.0
RAMA-12.7	12.7
RAMA-14	14.0
RAMA-16	16.0

NOTE: MADE OF EQUIVALENT MATERIAL.
使用同等材質

<p>康揚企業股份有限公司 KANG YANG HARDWARE ENTERPRISE CO., LTD. 康揚塑膠(東莞)有限公司 KANG YANG PLASTIC(DONG GUAN) CO., LTD. 康哲電腦配件(吳江)有限公司 KANG CHE COMPUTER COMPONENTS(WUJIANG) CO., LTD.</p>				TITLE	SPACER SUPPORT	SPEC. DWG.	
				MATERIAL	NYLON 66 UL94V-2	DATE	2015.02.13
				FINISH		DRAWN	Emily
				COLOR	NATURAL	CHECK	薛梅
PART NUMBER	SEE ABOVE	DRAWING NUMBER	RAMA-H	UNLESS OTHERWISE SPECIFIED TOLERANCE	SEE ABOVE	APPROVED	Kang
SIZE	A4	SCALE	NONE	UNIT	mm	REV	A