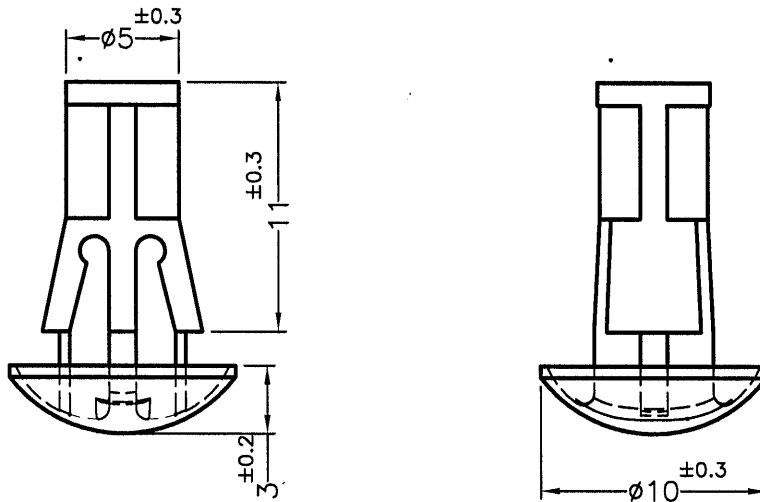





REVISIONS			
REV	DESCRIPTION	DATE	BY



HOLE IN P.C.B: $\phi 5.5$
P.C.B THICKNESS: 1.6~2.5

PART NO.	MATERIAL	COLOR
RAML-11	NYLON 66 UL94V-2	NATURAL
RAML-11V0	NYLON 66 UL94V-0	NATURAL(WHITE)

NOTE: MADE OF EQUIVALENT MATERIAL.
均可使用同等材質.

 康揚企業股份有限公司 KANG YANG HARDWARE ENTERPRISE CO., LTD. 康揚塑膠(東莞)有限公司 KANG YANG PLASTIC(DONG GUAN) CO., LTD. 康哲電腦配件(吳江)有限公司 KANG CHE COMPUTER COMPONENTS(WUJIANG) CO., LTD.				TITLE	SPACER SUPPORT	SPEC. DWG.	
				MATERIAL	SEE ABOVE	DATE	2010.08.06
				FINISH		DRAWN	JIM
				COLOR	SEE ABOVE	CHECK	
PART NUMBER	SEE ABOVE	DRAWING NUMBER	RAML-11	UNLESS OTHERWISE SPECIFIED TOLERANCE	SEE ABOVE	APPROVED	
SIZE	A4	SCALE	3:1	UNIT	mm	REV	C