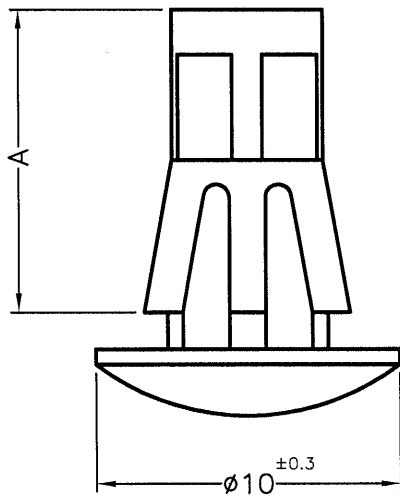


DIM.	TOL
5mm DOWN	±0.2
5~20mm	±0.3
20~40mm	±0.4
40~60mm	±0.5
60~100mm	±0.8
100mm UP	±1.0




REVISIONS			
REV	DESCRIPTION	DATE	BY

HOLE IN CHASSIS: $\phi 5.5\text{mm}$
THICKNESS: 1.2~1.8mm



PART NO.	A
RAS-6	6.0
RAS-8	8.0
RAS-10	10.0
RAS-12	12.0
RAS-14	14.0
RAS-18	18.0
RAS-20	20.0

NOTE: MADE OF EQUIVALENT MATERIAL.
均可使用同等材質.

 <p>康揚企業股份有限公司 KANG YANG HARDWARE ENTERPRISE CO., LTD. 康揚塑膠(東莞)有限公司 KANG YANG PLASTIC(DONG GUAN) CO., LTD. ISO 9001 ISO 14001 QC 080000 康哲電腦配件(吳江)有限公司 KANG CHE COMPUTER COMPONENTS(WUJIANG) CO., LTD.</p>		TITLE SPACER SUPPORT	SPEC. DWG.
		MATERIAL NYLON 66 UL94V-2	DATE 2003.11.10
PART NUMBER SEE ABOVE		FINISH	DRAWN Linda
DRAWING NUMBER RAS-H		COLOR NATURAL	CHECK 
SIZE A4	SCALE NONE	UNLESS OTHERWISE SPECIFIED TOLERANCE SEE ABOVE	APPROVED 
UNIT mm	REV C		