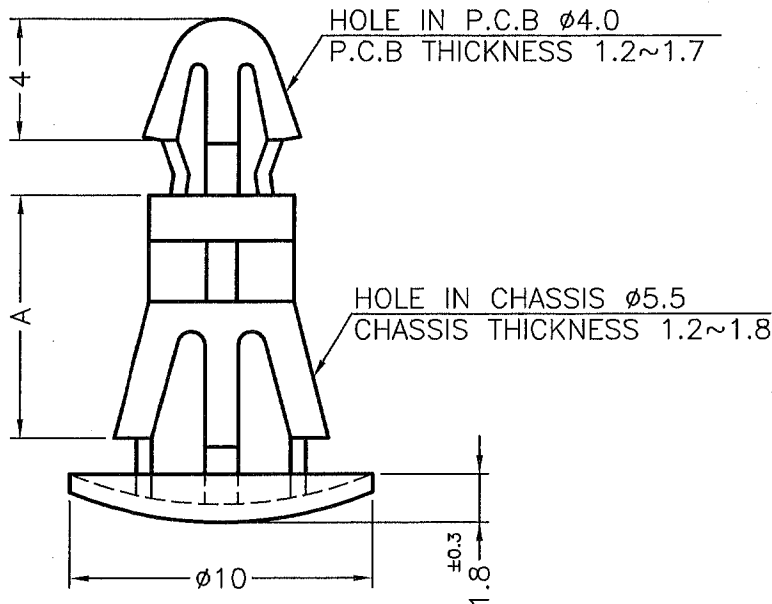



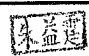

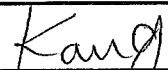
DIM.	TOL
5mm DOWN	±0.2
5~20mm	±0.3
20~40mm	±0.4
40~60mm	±0.5
60~100mm	±0.8
100mm UP	±1.0

REVISIONS			
REV	DESCRIPTION	DATE	BY



PART NO	A
RBS-5	5.0
RBS-6	6.0
RBS-7	7.0
RBS-8	8.0
RBS-10	10.0
RBS-11	11.0
RBS-12	12.0
RBS-14	14.0
RBS-18	18.0
RBS-20	20.0

NOTE: All measurement does not include gate which raises under 0.3mm.

 <p>康揚企業股份有限公司 KANG YANG HARDWARE ENTERPRISE CO., LTD. 康揚塑膠(東莞)有限公司 KANG YANG PLASTIC(DONG GUAN) CO., LTD. 康哲電腦配件(吳江)有限公司 KANG CHE COMPUTER COMPONENTS(WUJIANG) CO., LTD.</p>	TITLE SPACER SUPPORT		SPEC. DWG.	
	MATERIAL NYLON 66 UL94V-2		DATE 1997.07.08	
	FINISH		DRAWN S.J.C.	
	COLOR NATURAL		CHECK  	
PART NUMBER SEE ABOVE	DRAWING NUMBER RBS-H		APPROVED 	
SIZE A4	SCALE NONE	UNIT mm	REV C	UNLESS OTHERWISE SPECIFIED TOLERANCE SEE ABOVE