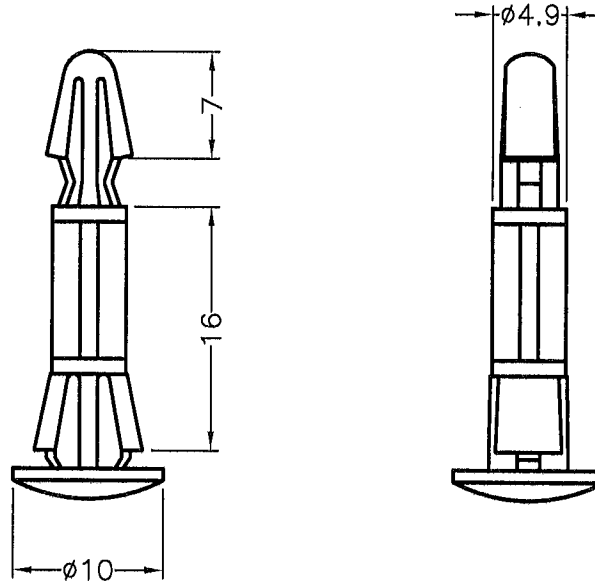


DIM.	TOL
L ≤ 10	±0.2
10 < L ≤ 30	±0.3
30 < L ≤ 50	±0.5
50 < L ≤ 100	±0.7
100 < L ≤ 250	±1.2
ABOVE 250	±1.5



REVISIONS			
REV	DESCRIPTION	DATE	BY

HOLE IN P.C.B  $\phi 4.0$   
P.C.B THICKNESS 3.0



HOLE IN CHASSIS  $\phi 5.5$   
CHASSIS THICKNESS 1.2~1.6

NOTE: MADE OF EQUIVALENT MATERIAL.  
均可使用同等材質。

 <p>康揚企業股份有限公司 KANG YANG HARDWARE ENTERPRISE CO., LTD. 康揚塑膠(東莞)有限公司 KANG YANG PLASTIC(DONG GUAN) CO., LTD. ISO 9001 ISO 14001 QC 080000 康哲電腦配件(吳江)有限公司 KANG CHE COMPUTER COMPONENTS(WUJIANG) CO., LTD.</p>		TITLE	SPACER SUPPORT	TITLE	SPEC. DWG.
		MATERIAL	NYLON 66 UL94V-2	DATE	2015.01.21
		HARDNESS		DRAWN	Y.C.P
		COLOR	NATURAL	CHECK	
PART NUMBER	RBT-16L	DRAWING NUMBER	RBT-16L	UNLESS OTHERWISE SPECIFIED TOLERANCE	SEE ABOVE
SIZE	A4	SCALE	2:1	UNIT	mm
REV	A	APPROVED	