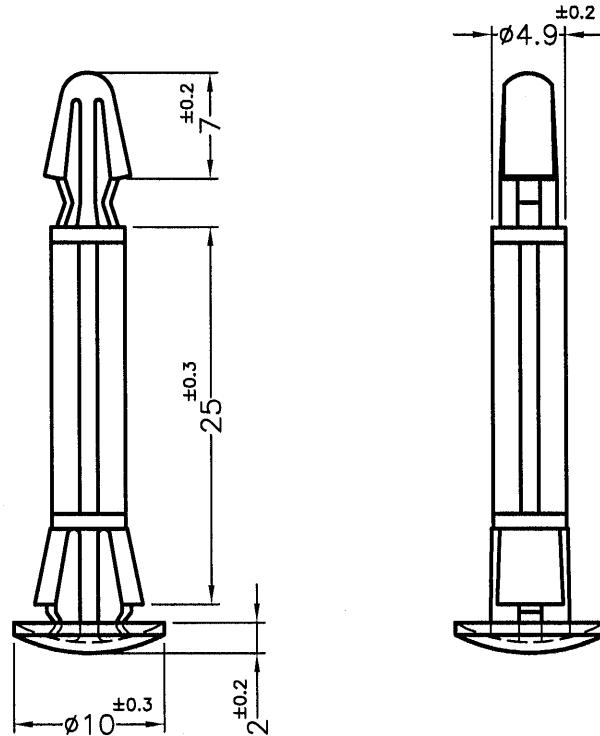



REVISIONS			
REV	DESCRIPTION	DATE	BY

HOLE IN P.C.B $\phi 4.0$
P.C.B THICKNESS 3.0mm



HOLE IN CHASSIS $\phi 5.5$
CHASSIS THICKNESS 1.2~1.6mm

NOTE:MADE OF EQUIVALENT MATERIAL.
使用同等材質

 <p>康揚企業股份有限公司 KANG YANG HARDWARE ENTERPRISE CO., LTD. 康揚塑膠(東莞)有限公司 KANG YANG PLASTIC(DONG GUAN) CO., LTD. 康哲電腦配件(吳江)有限公司 KANG CHE COMPUTER COMPONENTS(WUJIANG) CO., LTD.</p>				TITLE	SPACER SUPPORT	SPEC. DWG.	
				MATERIAL	NYLON 66 UL94V-2	DATE	2010.04.22
				FINISH		DRAWN	JIM
				COLOR	NATURAL	CHECK	薛梅
PART NUMBER	DRAWING NUMBER						
RBT-25L	RBT-25L						
SIZE	SCALE	UNIT	REV	UNLESS OTHERWISE SPECIFIED TOLERANCE	APPROVED		
A4	2:1	mm	A	SEE ABOVE	Kang		