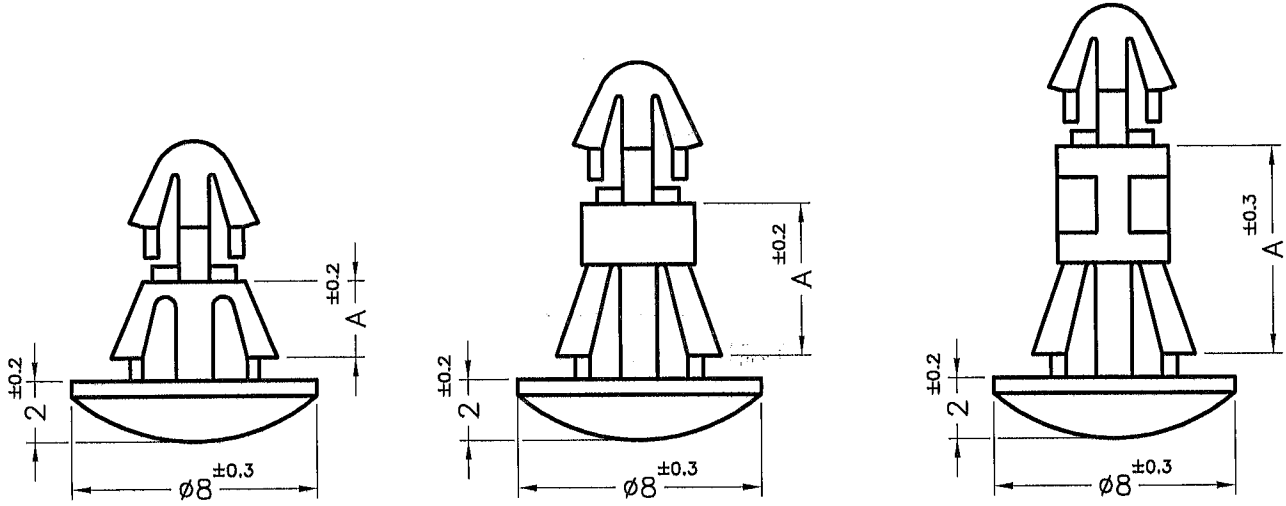


REVISIONS			
REV	DESCRIPTION	DATE	BY

HOLE IN P.C.B $\phi 3$
P.C.B THICKNESS 1.6mm



HOLE IN CHASSIS $\phi 4.0$
CHASSIS THICKNESS 0.8~1.6mm

PART NO.	A
RCA-2.5	2.5

PART NO.	A
RCA-3	3.2
RCA-4	4.0
RCA-4.5	4.5
RCA-5	5.0
RCA-5.5	5.5 ^{±0.3}

PART NO.	A
RCA-6	6.0
RCA-6.4	6.4
RCA-7	7.0
RCA-7.5	7.5
RCA-8	8.0
RCA-9	9.0
RCA-9.5	9.5
RCA-10	10.0
RCA-11.1	11.1
RCA-12	12.0
RCA-12.7	12.7
RCA-14	14.0
RCA-16	16.0

NOTE: 1. SHRINKING IS NORMAL STATUS.
內縮為正常現象。
2. MADE OF EQUIVALENT MATERIAL.
均可使用同等材質。

<p>康揚企業股份有限公司 KANG YANG HARDWARE ENTERPRISE CO., LTD. 康揚塑膠(東莞)有限公司 KANG YANG PLASTIC(DONG GUAN) CO., LTD. 康哲電腦配件(吳江)有限公司 KANG CHEE COMPUTER COMPONENTS(WUJIANG) CO., LTD.</p>				TITLE SPACER SUPPORT	SPEC. DWG.
				MATERIAL NYLON 66 UL94V-2	DATE 1999.02.11
PART NUMBER SEE ABOVE		DRAWING NUMBER RCA-H	FINISH	DRAWN AMY	
SIZE A4	SCALE 4:1	UNIT mm	REV B	COLOR NATURAL	
UNLESS OTHERWISE SPECIFIED TOLERANCE SEE ABOVE			CHECK	APPROVED Kang	