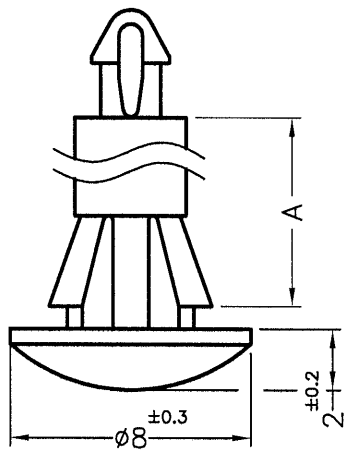
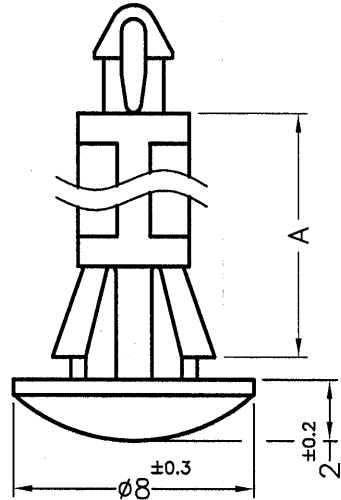


DIM	TOL
5mm DOWN	±0.2
5~20mm	±0.3
20~40mm	±0.4
40~60mm	±0.5
60~100mm	±0.8
100mm UP	±1.0

MOUNTING HOLE $\phi 2$
THICKNESS 1.6mm



MOUNTING HOLE $\phi 2$
THICKNESS 1.6mm



MOUNTING HOLE $\phi 4$
THICKNESS 0.8~1.6mm

PART NO.	A
RCAB-3	3.2
RCAB-4.5	4.5

MOUNTING HOLE $\phi 4$
THICKNESS 0.8~1.6mm

PART NO.	A
RCAB-6.4	6.4
RCAB-7	7.0
RCAB-10	10.0
RCAB-11.1	11.1
RCAB-12.7	12.7
RCAB-16	16.0

NOTE: 1. SHRINKING IS NORMAL STATUS.
內縮為正常現象。
2. MADE OF EQUIVALENT MATERIAL.
均可使用同等材質。

KY
ISO 9001
ISO 14001
QC 080000
IATF 16949

康揚企業股份有限公司
KANG YANG HARDWARE ENTERPRISE CO., LTD.
康揚塑膠(東莞)有限公司
KANG YANG PLASTIC(DONG GUAN)CO.,LTD.
康哲電腦配件(吳江)有限公司
KANG CHE COMPUTER COMPONENTS(WUJIANG)CO.,LTD.

PROPRIETARY AND CONFIDENTIAL THE INFORMATION CONTAINED IN THIS DRAWING IS THE SOLE PROPERTY OF KANG YANG HARDWARE ENTERPRISE CO. ANY REPRODUCTION IN PART OR AS A WHOLE WITHOUT THE WRITTEN PERMISSION OF KANG YANG HARDWARE ENTERPRISE CO. IS PROHIBITED.	DATE	2015.02.13	TITLE	SPACER SUPPORT	DWG. NO.	RCAB-H	PART NO.	SEE ABOVE
	DRAWN	<i>Emily</i>	MATERIAL	NYLON 66 UL94V-2	SIZE	A4	SPEC. DWG	REV
	CHECKED	<i>[Signature]</i>	COLOR	NATURAL	FINISH			B
	APPROVED	<i>Kang</i>	UNLESS OTHERWISE SPECIFIED TOLERANCE: SEE ABOVE		SCALE: 4:1	UNIT	mm	SHEET 1 OF 1