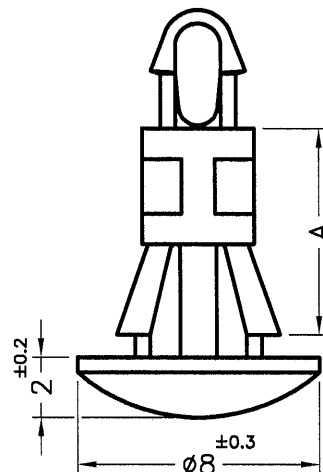
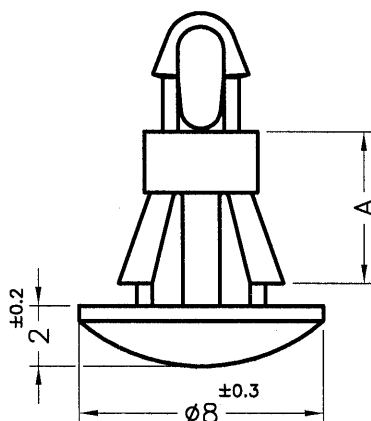
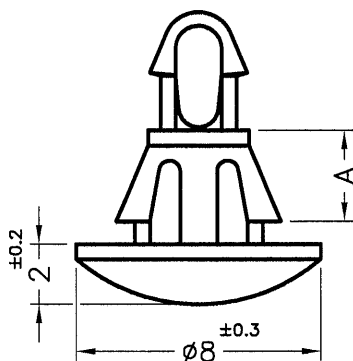


DIM.	TOL
L≤10	±0.2
10<L≤30	±0.3
30<L≤50	±0.5
50<L≤100	±0.7
100<L≤250	±1.2
ABOVE 250	±1.5

REVISIONS			
REV	DESCRIPTION	DATE	BY

HOLE IN P.C.B Ø2.5  
P.C.B THICKNESS 1.6mm





HOLE IN CHASSIS Ø4.0  
CHASSIS THICKNESS 0.8~1.6mm

PART NO.	A
RCAC-2.5	2.5

PART NO.	A
RCAC-3	3.0
RCAC-4.5	4.5
RCAC-5.5	5.5

PART NO.	A
RCAC-6.4	6.4
RCAC-7.5	7.5
RCAC-9.5	9.5
RCAC-11.1	11.1
RCAC-12.7	12.7

NOTE:MADE OF EQUIVALENT MATERIAL.  
均可使用同等材質。

 <p>康揚企業股份有限公司 KANG YANG HARDWARE ENTERPRISE CO., LTD. 康揚塑膠(東莞)有限公司 KANG YANG PLASTIC(DONG GUAN) CO., LTD. 康哲電腦配件(吳江)有限公司 KANG CHE COMPUTER COMPONENTS(WUJIANG) CO., LTD.</p>				TITLE SPACER SUPPORT	SPEC. DWG.
				MATERIAL NYLON 66 UL94V-2	DATE 2015.02.13
PART NUMBER SEE ABOVE		DRAWING NUMBER RCAC-H	FINISH	DRAWN Emily	
SIZE A4	SCALE NONE	UNIT mm	REV A	COLOR NATURAL	
UNLESS OTHERWISE SPECIFIED TOLERANCE SEE ABOVE				CHECK 	
				APPROVED Kang	