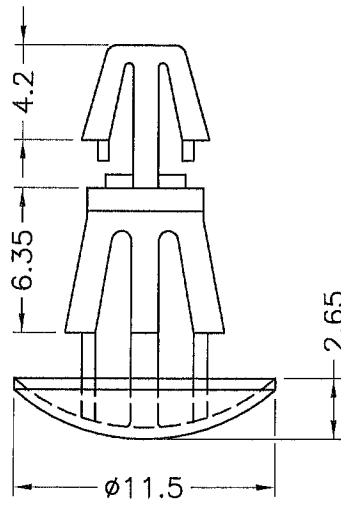


DIM.	TOL
5mm DOWN	±0.2
5~20mm	±0.3
20~40mm	±0.4
40~60mm	±0.5
60~100mm	±0.8
100mm UP	±1.0

REVISIONS			
REV	DESCRIPTION	DATE	BY

HOLE IN P.C.B Ø4.0
P.C.B THICKNESS 1.6



HOLE IN CHASSIS Ø5.5
CHASSIS THICKNESS 2.0~3.0

NOTE: All measurement does not include gate which raises under 0.3mm.



康揚企業股份有限公司
KANG YANG HARDWARE ENTERPRISE CO., LTD.
康揚塑膠(東莞)有限公司
KANG YANG PLASTIC(DONG GUAN) CO., LTD.
康哲電腦配件(吳江)有限公司
KANG CHE COMPUTER COMPONENTS(WUJIANG) CO., LTD.

TITLE	SPACER SUPPORT	SPEC. DWG.
MATERIAL	NYLON 66 UL94V-2	DATE 2008.12.18
FINISH		DRAWN Zhang
COLOR	NATURAL	CHECK
PART NUMBER RCBL-6	DRAWING NUMBER RCBL-6	UNLESS OTHERWISE SPECIFIED TOLERANCE SEE ABOVE
SIZE A4	SCALE 3:1	UNIT mm
REV A		APPROVED