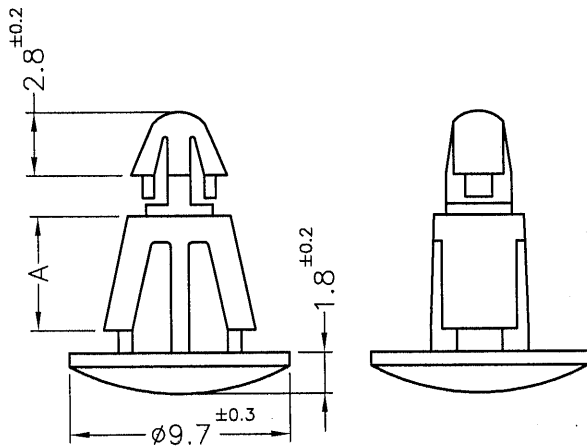


DIM.	TOL
5mm DOWN	±0.2
5~20mm	±0.3
20~40mm	±0.4
40~60mm	±0.5
60~100mm	±0.8
100mm UP	±1.0

REVISIONS			
REV	DESCRIPTION	DATE	BY

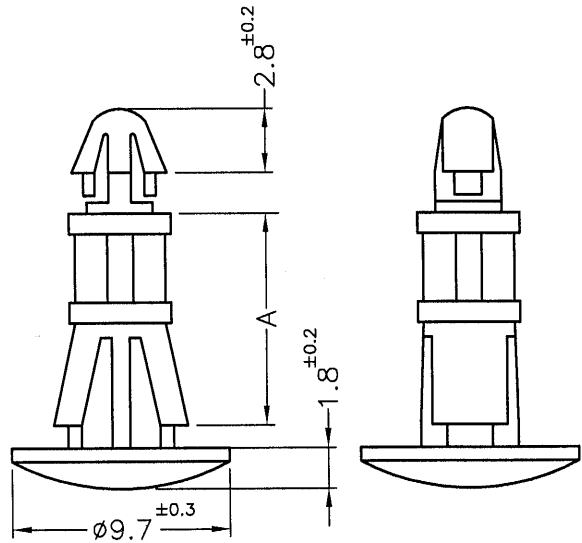
HOLE IN P.C.B  $\phi 3.0$   
P.C.B THICKNESS 1.6



HOLE IN CHASSIS  $\phi 4.8$   
CHASSIS THICKNESS 0.8~2.0

PART NO.	A
RCC-5	5.0
RCC-6	6.3


HOLE IN P.C.B  $\phi 3.0$   
P.C.B THICKNESS 1.6



HOLE IN CHASSIS  $\phi 4.8$   
CHASSIS THICKNESS 0.8~2.0

PART NO.	A
RCC-8	8.0
RCC-10	10.0
RCC-12	12.7

NOTE: MADE OF EQUIVALENT MATERIAL.  
均可使用同等材質。

 <p>康揚企業股份有限公司 KANG YANG HARDWARE ENTERPRISE CO., LTD. 康揚塑膠(東莞)有限公司 KANG YANG PLASTIC(DONG GUAN) CO., LTD. 康哲電腦配件(吳江)有限公司 KANG CHE COMPUTER COMPONENTS(WUJIANG) CO., LTD.</p>		TITLE	SPACER SUPPORT	SPEC. DWG.	
		MATERIAL	NYLON 66 UL94V-2	DATE	1998.03.11
		FINISH		DRAWN	Linda
		COLOR	NATURAL	CHECK	薛梅
PART NUMBER	SEE ABOVE	DRAWING NUMBER	RCC-H	UNLESS OTHERWISE SPECIFIED TOLERANCE	SEE ABOVE
SIZE	A4	SCALE	NONE	UNIT	mm
		REV	B	APPROVED	