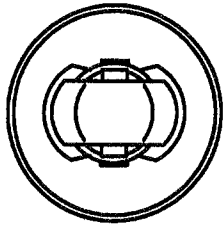
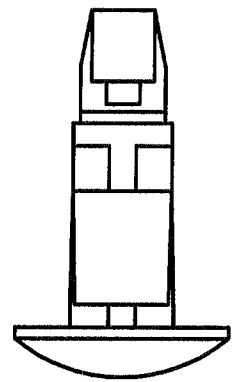
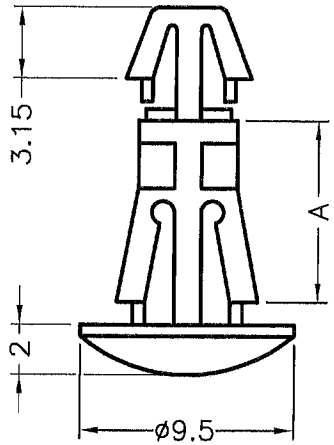


DIM.	TOL
5mm DOWN	±0.2
5~20mm	±0.3
20~40mm	±0.4
40~60mm	±0.5
60~100mm	±0.8
100mm UP	±1.0

REVISIONS			
REV	DESCRIPTION	DATE	BY




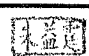
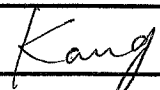
HOLE IN P.C.B $\phi 4.0$
P.C.B THICKNESS 1.0~1.7



HOLE IN CHASSIS $\phi 4.8$
CHASSIS THICKNESS 0.8~1.2

NOTE: All measurement does not include gate which raises under 0.3mm.

PART NO.	A
RCD-6	6.3
RCD-8	8.0
RCD-10	10.0
RCD-11	11.0

 <p>康揚企業股份有限公司 KANG YANG HARDWARE ENTERPRISE CO., LTD. 康揚塑膠(東莞)有限公司 KANG YANG PLASTIC(DONG GUAN) CO., LTD. 康哲電腦配件(吳江)有限公司 KANG CHE COMPUTER COMPONENTS(WUJIANG) CO., LTD.</p>				TITLE	SPACER SUPPORT	SPEC. DWG.	
				MATERIAL	NYLON 66 UL94V-2	DATE	2000.11.08
				FINISH		DRAWN	JASON
				COLOR	NATURAL	CHECK	
PART NUMBER	SEE ABOVE	DRAWING NUMBER	RCD-	UNLESS OTHERWISE SPECIFIED TOLERANCE	SEE ABOVE	APPROVED	
SIZE	A4	SCALE	NONE	UNIT	mm	REV	B