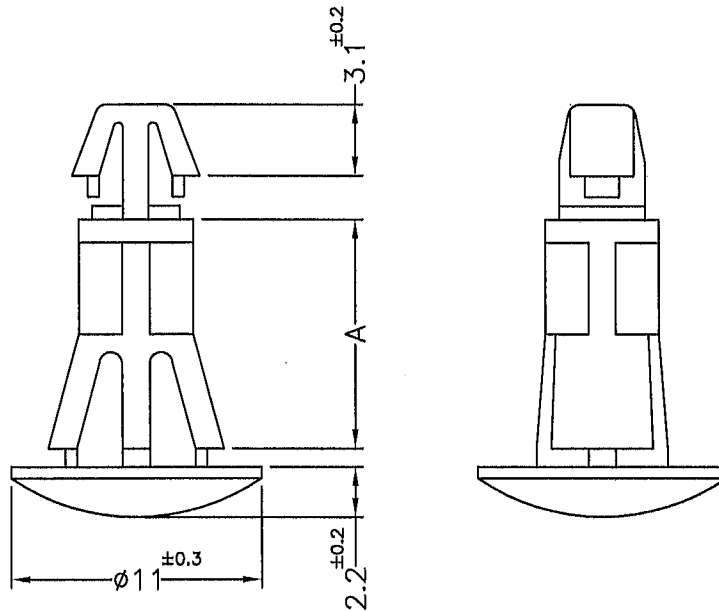


REVISIONS			
REV	DESCRIPTION	DATE	BY

HOLE IN P.C.B $\phi 4.0$
P.C.B THICKNESS 1.2~1.7



HOLE IN CHASSIS $\phi 6.0$
CHASSIS THICKNESS 0.8~2.0

PART NO.	A
RCF-5	5.0 ^{±0.3}
RCF-6	6.35 ^{±0.3}
RCF-8	8.0 ^{±0.3}
RCF-10	10.0 ^{±0.3}
RCF-12	12.7 ^{±0.3}
RCF-15	15.9 ^{±0.3}

NOTE:MADE OF EQUIVALENT MATERIAL.
均可使用同等材質.

<p>康揚企業股份有限公司 KANG YANG HARDWARE ENTERPRISE CO., LTD. 康揚塑膠(東莞)有限公司 KANG YANG PLASTIC(DONG GUAN) CO.,LTD. 康哲電腦配件(吳江)有限公司 KANG CHE COMPUTER COMPONENTS(WUJIANG) CO.,LTD.</p>				TITLE	SPACER SUPPORT	SPEC. DWG.	
				MATERIAL	NYLON 66 UL94V-2	DATE	2003.01.09
				FINISH		DRAWN	AMY
				COLOR	NATURAL	CHECK	
PART NUMBER	SEE ABOVE	DRAWING NUMBER	RCF-	UNLESS OTHERWISE SPECIFIED TOLERANCE	SEE ABOVE	APPROVED	
SIZE	A4	SCALE	NONE	UNIT	mm	REV	A