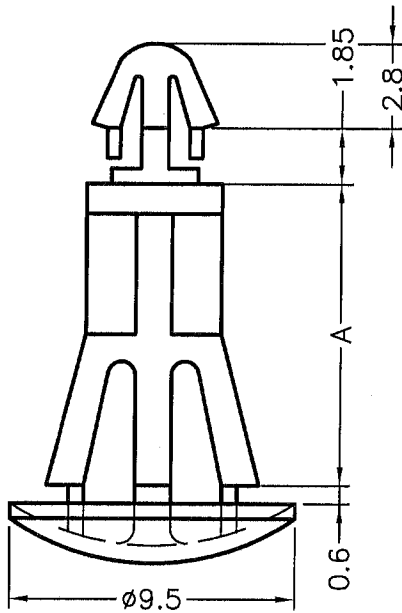


DIM.	TOL.
5mm DOWN.	±0.2
5~20mm	±0.3
20~40mm	±0.4
40~60mm	±0.5
60~100mm	±0.8
100mm UP.	±1.0

REVISIONS			
REV	DESCRIPTION	DATE	BY




FOR P.C.B  $\phi 3.0$   
PCB THICKNESS:1.2~1.7



PART NO.	A
RCG-3.5	3.5
RCG-5	4.8
RCG-6.35	6.35
RCG-7	7.0
RCG-8	8.0
RCG-10	10.0
RCG-11	11.0
RCG-12.7	12.7
RCG-15.9	15.9

FOR CHASSIS  $\phi 5.5$   
PCB THICKNESS:0.6~1.2

NOTE: All measurement does not include gate which raises under 0.3mm.

 <p>康揚企業股份有限公司 KANG YANG HARDWARE ENTERPRISE CO., LTD. 康揚塑膠(東莞)有限公司 KANG YANG PLASTIC(DONG GUAN) CO., LTD. 康哲電腦配件(吳江)有限公司 KANG CHE COMPUTER COMPONENTS(WUJIANG) CO., LTD.</p>				TITLE	SPACER SUPPORT	SPEC. DWG.	
				MATERIAL	NYLON 66 UL94V-2	DATE	2006.01.25
				FINISH		DRAWN	Linda
PART NUMBER		DRAWING NUMBER		COLOR	NATURAL	CHECK	
SEE ABOVE		RCG-		UNLESS OTHERWISE SPECIFIED TOLERANCE	SEE ABOVE	APPROVED	
SIZE	A4	SCALE	4:1	UNIT	mm	REV	A