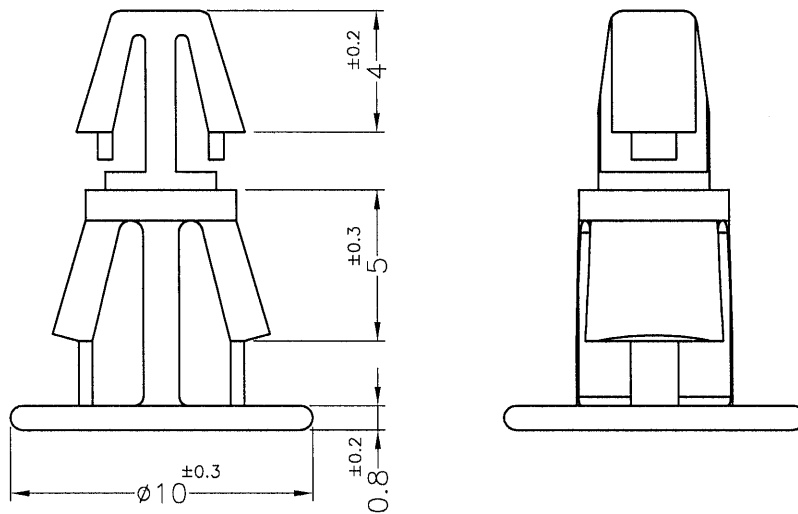


REVISIONS			
REV	DESCRIPTION	DATE	BY



HOLE IN P.C.B: $\phi 4.0\text{mm}$
P.C.B THICKNESS: 1.6mm



HOLE IN CHASSIS: $\phi 5.5\text{mm}$
CHASSIS THICKNESS: 1.5~2.2mm

PART NO.	COLOR
RCI-5	NATURAL
RCI-5(B)	BLACK

NOTE:MADE OF EQUIVALENT MATERIAL.
均可使用同等材質.

 <p>康揚企業股份有限公司 KANG YANG HARDWARE ENTERPRISE CO., LTD. 康揚塑膠(東莞)有限公司 KANG YANG PLASTIC(DONG GUAN) CO.,LTD. 康哲電腦配件(吳江)有限公司 KANG CHE COMPUTER COMPONENTS(WUJIANG) CO.,LTD.</p>				TITLE	SPEC. DWG.
				MATERIAL	DATE
				FINISH	DRAWN
				COLOR	CHECK
PART NUMBER	DRAWING NUMBER	UNLESS OTHERWISE SPECIFIED TOLERANCE	APPROVED		
SEE ABOVE	RCI-5	SEE ABOVE			
SIZE	SCALE	UNIT	REV		
A4	4:1	mm	B		