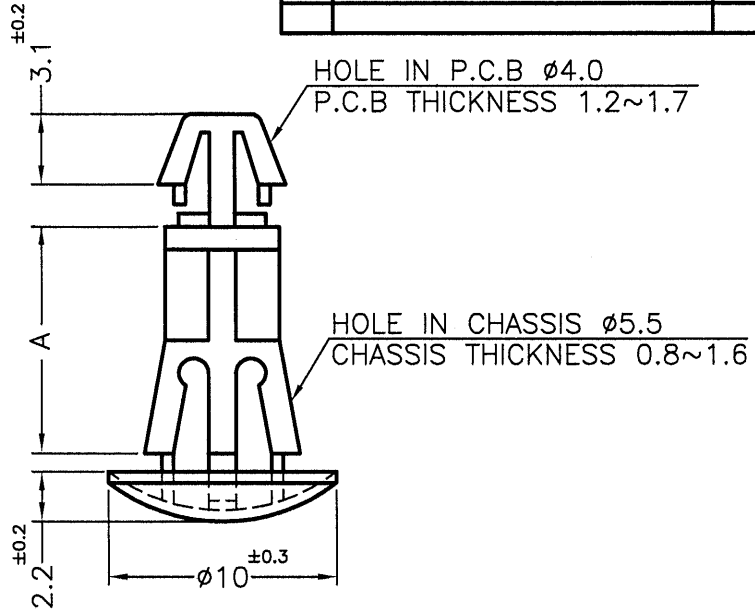


DIM.	TOL
5mm DOWN	±0.2
5~20mm	±0.3
20~40mm	±0.4
40~60mm	±0.5
60~100mm	±0.8
100mm UP	±1.0

REVISIONS			
REV	DESCRIPTION	DATE	BY



PART NO.	A	COLOR
RCM-3	3.5	NATURAL
RCM-5	5.0	
RCM-6	6.35	
RCM-7	7.0	
RCM-8	8.0	
RCM-8.5	8.5	
RCM-10	10.0	
RCM-12A	12.0	
RCM-12	12.7	
RCM-13.5	13.5	
RCM-14	14.0	
RCM-15	15.2	
RCM-16	15.9	
RCM-18	18.0	
RCM-19	19.0	
RCM-20	20.0	
RCM-22	21.7	
RCM-24	24.0	
RCM-25	25.4	
RCM-30	30.0	

PART NO.	A	COLOR
RCM-6(BU)	6.35	BLUE

NOTE: MADE OF EQUIVALENT MATERIAL.
均可使用同等材質。

<p>康揚企業股份有限公司 KANG YANG HARDWARE ENTERPRISE CO., LTD. 康揚塑膠(東莞)有限公司 KANG YANG PLASTIC(DONG GUAN) CO., LTD. ISO 9001 ISO 14001 QC 080000 康哲電腦配件(吳江)有限公司 KANG CHE COMPUTER COMPONENTS(WUJIANG) CO., LTD.</p>	TITLE SPACER SUPPORT		SPEC. DWG.	
	MATERIAL NYLON 66 UL94V-2		DATE	1998.11.09
	FINISH		DRAWN	JASON
	COLOR SEE ABOVE		CHECK	
PART NUMBER SEE ABOVE	DRAWING NUMBER RCM-H		UNLESS OTHERWISE SPECIFIED TOLERANCE SEE ABOVE	
SIZE A4	SCALE NONE	UNIT mm	REV D	APPROVED