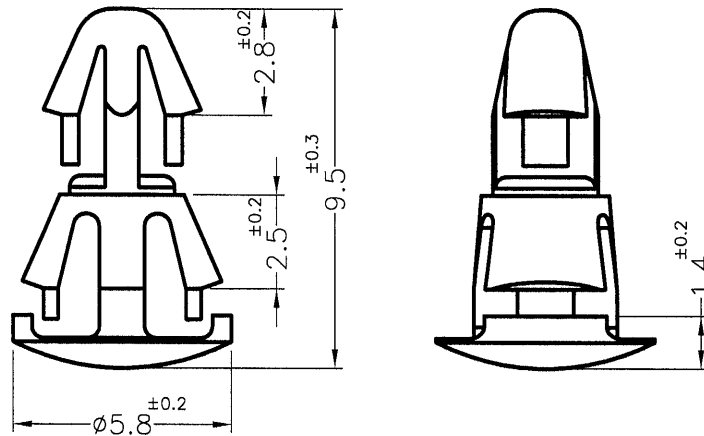


REVISIONS			
REV	DESCRIPTION	DATE	BY


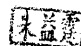
HOLE IN P.C.B: $\phi 3\text{mm}$
P.C.B THICKNESS: 1.6~2.0mm



HOLE IN P.C.B: $\phi 4\text{mm}$
P.C.B THICKNESS: 0.8~1.2mm

PART NO.	MATERIAL	COLOR
RCO-2.5L	NYLON 66 UL94V-2	NATURAL
RCO-2.5L(B)		BLACK

NOTE: 1. SHRINKING IS NORMAL STATUS.
內縮為正常現象。
2. MADE OF EQUIVALENT MATERIAL.
均可使用同等材質。

 <p>康揚企業股份有限公司 KANG YANG HARDWARE ENTERPRISE CO., LTD. 康揚塑膠(東莞)有限公司 KANG YANG PLASTIC(DONG GUAN) CO., LTD. 康哲電腦配件(吳江)有限公司 KANG CHE COMPUTER COMPONENTS(WUJIANG) CO., LTD.</p>	TITLE SPACER SUPPORT		SPEC. DWG.	
	MATERIAL NYLON 66 UL94V-2		DATE	2011.05.20
	FINISH		DRAWN	SAI
	COLOR SEE ABOVE		CHECK	
PART NUMBER SEE ABOVE	DRAWING NUMBER RCO-2.5L		UNLESS OTHERWISE SPECIFIED TOLERANCE SEE ABOVE	
SIZE A4	SCALE 5:1	UNIT mm	REV B	APPROVED 