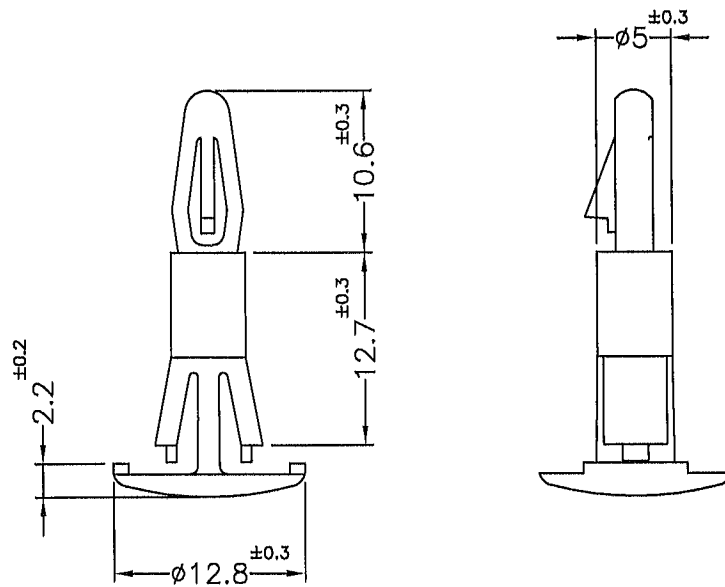




REVISIONS			
REV	DESCRIPTION	DATE	BY

MOUNTING HOLE $\phi 4.0$
THICKNESS 1.2~1.7



MOUNTING HOLE $\phi 5.5$
THICKNESS 1.0~1.5

NOTE:MADE OF EQUIVALENT MATERIAL.
均可使用同等材質.

 <p>康揚企業股份有限公司 KANG YANG HARDWARE ENTERPRISE CO., LTD. 康揚塑膠(東莞)有限公司 KANG YANG PLASTIC(DONG GUAN) CO., LTD. 康哲電腦配件(吳江)有限公司 KANG CHE COMPUTER COMPONENTS(WUJIANG) CO., LTD.</p>	TITLE		SPEC. DWG.	
	MATERIAL		DATE	
	FINISH		DRAWN	
	COLOR		CHECK	
PART NUMBER	DRAWING NUMBER	UNLESS OTHERWISE SPECIFIED TOLERANCE		APPROVED
RCR-12.7	RCR-12.7	SEE ABOVE		
SIZE	SCALE	UNIT	REV	
A4	2:1	mm	A	