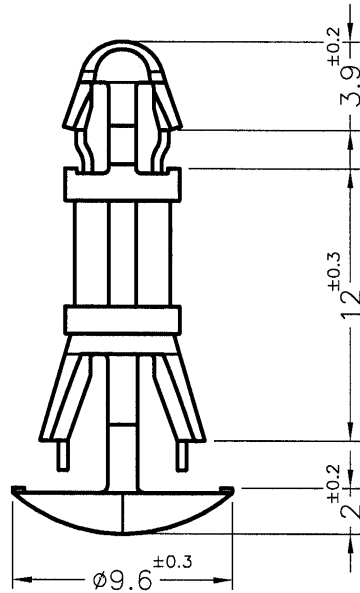



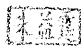
REVISIONS			
REV	DESCRIPTION	DATE	BY

HOLE IN P.C.B $\phi 4.0$
P.C.B THICKNESS 1.2~1.7



HOLE IN CHASSIS $\phi 5.4$
CHASSIS THICKNESS 2.0

NOTE:MADE OF EQUIVALENT MATERIAL
均可使用同等材質

 <p>康揚企業股份有限公司 KANG YANG HARDWARE ENTERPRISE CO., LTD. 康揚塑膠(東莞)有限公司 KANG YANG PLASTIC(DONG GUAN) CO.,LTD. 康哲電腦配件(吳江)有限公司 KANG CHE COMPUTER COMPONENTS(WUJIANG) CO.,LTD.</p>		TITLE	SPACER SUPPORT	SPEC. DWG.	
		MATERIAL	NYLON 66 UL94V-2	DATE	2016.03.30
		FINISH		DRAWN	M. F
		COLOR	NATURAL	CHECK	
PART NUMBER	RCTL-12	DRAWING NUMBER	RCTL-12	UNLESS OTHERWISE SPECIFIED TOLERANCE	SEE ABOVE
SIZE	A4	SCALE	3:1	UNIT	mm
REV	A	APPROVED	