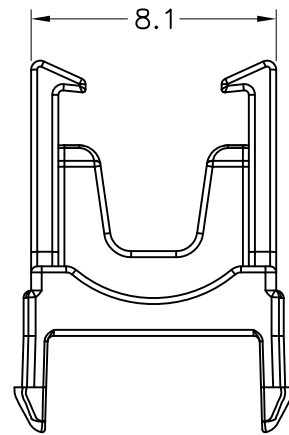
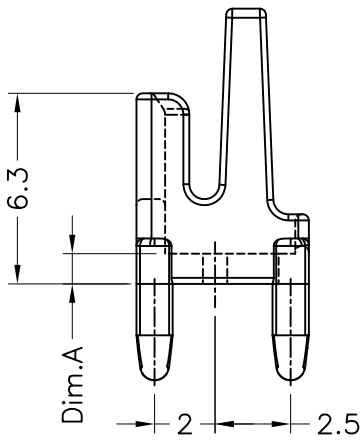


MOUNTING HOLE
 CHASSIS THICKNESS: $1.6 \begin{smallmatrix} +0 \\ -0.1 \end{smallmatrix}$



NOTE: A、D、N

PART NO.	Dim.A	PART NO.	Dim.A
RECA-1(B)	1	RECA-4(B)	4
RECA-1.5(B)	1.5	RECA-4.5(B)	4.5
RECA-2(B)	2	RECA-5(B)	5
RECA-2.5(B)	2.5	RECA-5.5(B)	5.5
RECA-3(B)	3	RECA-6(B)	6
RECA-3.5(B)	3.5		