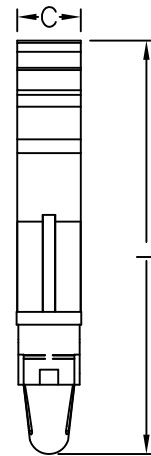
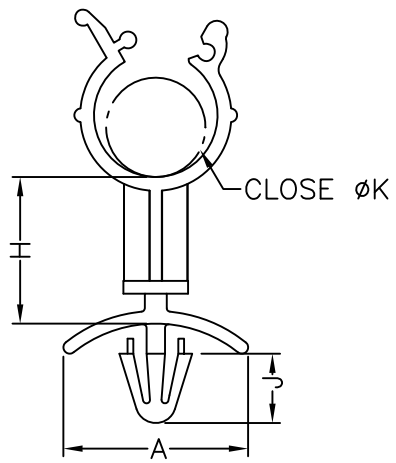


HOLE : ϕG
 THICKNESS: T



PART NO.	A	C	H	J	L	K	G	T
SLC-21	16	5.5	12.7	6	35.8	8.6	4.8	0.8~2.0
SLC-22					39.4	12.2		

NOTE: A, D