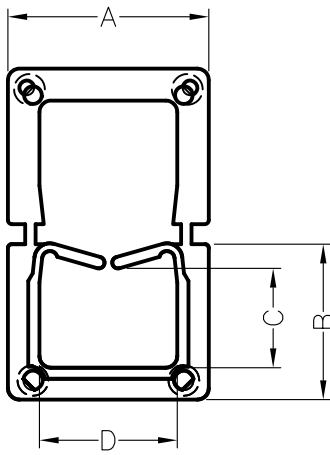


MOUNTING HOLE
THICKNESS: T



PART NO.	A	B	C	D	E	F	I	T
SQB-3	26.0	20.2	12.9	17.9	21.0	15.5	22.5	0.8~2.0