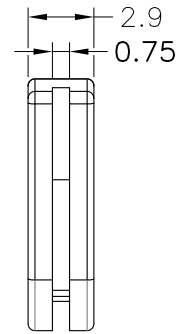
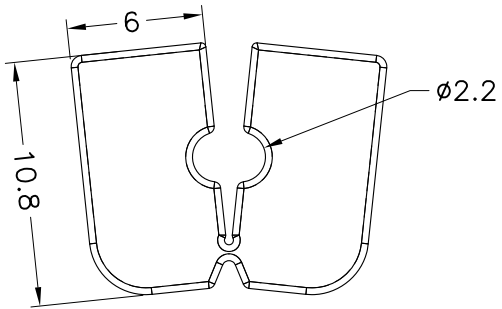


MOUNTING HOLE
CHASSIS THICKNESS 0.6



NOTE: D、N