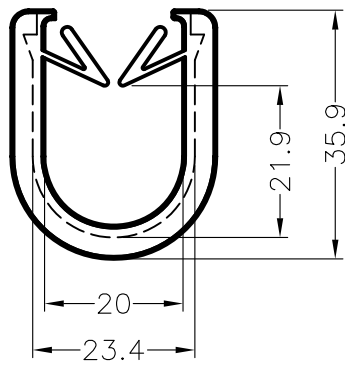


MOUNTING HOLE  
CHASSIS THICKNESS :T



PART NO.	T
SQM-1	0.8~1.2