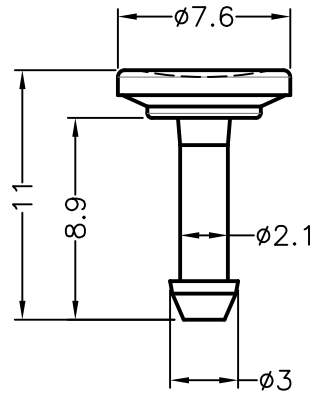


BODY



PIN

FAN CHASSIS THICKNESS 3.5mm
HOLE IN FAN $\phi 4.5$ mm

新公差

NOTE:N