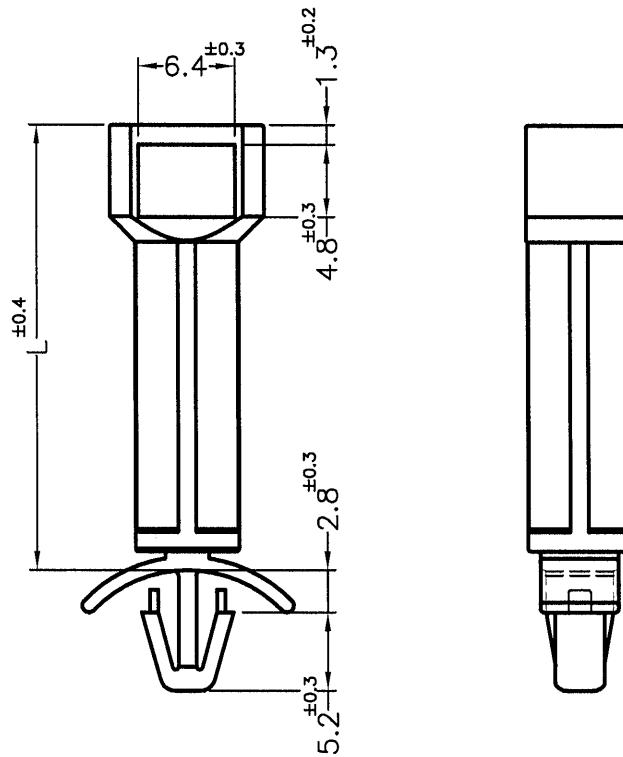
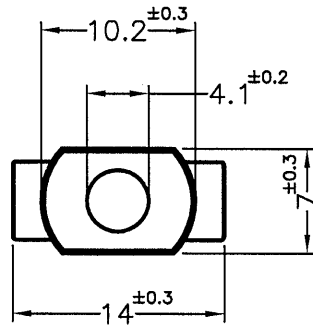


REVISIONS			
REV	DESCRIPTION	DATE	BY



PART NO.	L
SRLA-29.5V0	29.5
SRLA-31.5V0	31.5

NOTE:MADE OF EQUIVALENT MATERIAL.  
可使用同等材質

				TITLE	SPACER SUPPORT	SPEC. DWG.		
				MATERIAL	NYLON 66 UL94V-0	DATE	2017.11.03	
				HARDNESS		DRAWN	louis	
PART NUMBER		DRAWING NUMBER		COLOR	NATURAL(WHITE)	CHECK		
SEE ABOVE		SRLA-HV0		UNLESS OTHERWISE SPECIFIED TOLERANCE	SEE ABOVE	APPROVED		
SIZE	SCALE	UNIT	REV					
A4	2:1	mm	B					