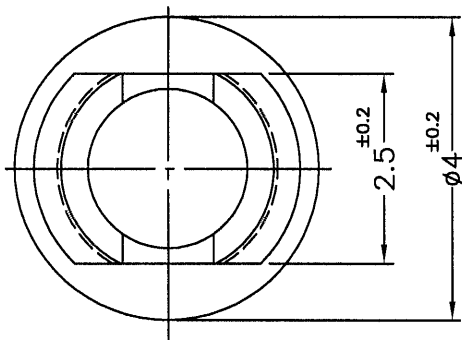
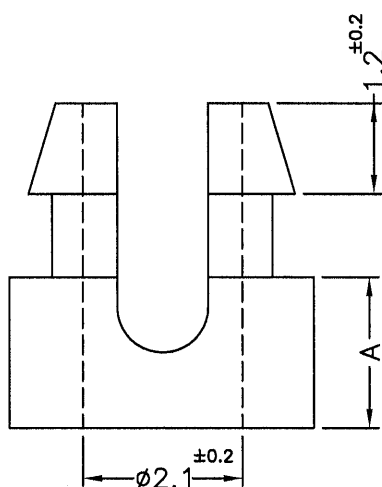


DIM.	TOL.
5mm DOWN.	±0.2
5~20mm	±0.3
20~40mm	±0.4
40~60mm	±0.5
60~100mm	±0.8
100mm UP.	±1.0

REVISIONS			
REV	DESCRIPTION	DATE	BY




P.C.B  $\phi 3.0$   
THICKNESS:0.8~1.0



FOR M2 SCREW

PART NO.	A	MATERIAL	COLOR
SS1-2	2.0	NYLON 66 UL94V-2	NATURAL
SS1-2.5	2.5		
SS1-3	3.0		
SS1-3.5	3.5		
SS1-4	4.0		
SS1-4.5	4.5		
SS1-5	5.0	NYLON 66 UL94V-0	(WHITE) NATURAL
SS1-5.5	5.5		
SS1-6	6.0		
SS1-2V0	2.0		
SS1-2.5V0	2.5		
SS1-3V0	3.0		
SS1-3.5V0	3.5	NYLON 66 UL94V-0	(WHITE) NATURAL
SS1-4V0	4.0		
SS1-4.5V0	4.5		
SS1-5V0	5.0	NYLON 66 UL94V-0	(WHITE) NATURAL
SS1-5.5V0	5.5		
SS1-6V0	6.0	NYLON 66 UL94V-0	(WHITE) NATURAL

NOTE: MADE OF EQUIVALENT MATERIAL.  
均可使用同等材質。

 <p>康揚企業股份有限公司 KANG YANG HARDWARE ENTERPRISE CO., LTD. 康揚塑膠(東莞)有限公司 KANG YANG PLASTIC(DONG GUAN) CO., LTD. 康哲電腦配件(吳江)有限公司 KANG CHE COMPUTER COMPONENTS(WUJIANG) CO., LTD.</p>				TITLE	SPACER SUPPORT	SPEC. DWG.
				MATERIAL	SEE ABOVE	DATE
PART NUMBER		DRAWING NUMBER		FINISH	DRAWN	AMY
SEE ABOVE		SS1-		COLOR	CHECK	
SIZE	SCALE	UNIT	REV	UNLESS OTHERWISE SPECIFIED TOLERANCE		APPROVED
A4	10:1	mm	B	SEE ABOVE		