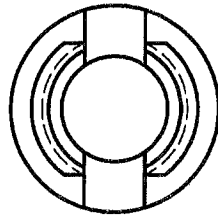
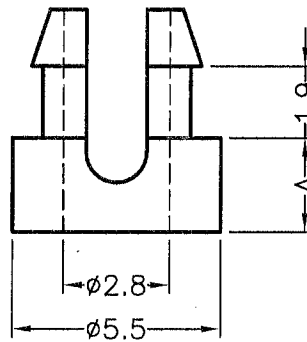


| DIM. | TOL |
|----------|------|
| 5mm DOWN | ±0.2 |
| 5~20mm | ±0.3 |
| 20~40mm | ±0.4 |
| 40~60mm | ±0.5 |
| 60~100mm | ±0.8 |
| 100mm UP | ±1.0 |

| REVISIONS | | | |
|-----------|-------------|------|----|
| REV | DESCRIPTION | DATE | BY |
| | | | |
| | | | |


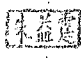



HOLE IN CHASSIS $\phi 4.0$
P.C.B THICKNESS 1.6~1.8



NOTE: All measurement does not include gate which raises under 0.3mm.

| PART NO. | A |
|----------|-----|
| SS2-2.5 | 2.5 |
| SS2-3 | 3.0 |
| SS2-4 | 4.0 |
| SS2-5 | 5.0 |
| SS2-5.4 | 5.4 |
| SS2-6 | 6.0 |
| SS2-8 | 8.0 |
| SS2-9.5 | 9.5 |

| | | | | | | | |
|--|-----------|----------------|--------|--------------------------------------|------------------|------------|---|
|  康揚企業股份有限公司 KANG YANG HARDWARE ENTERPRISE CO., LTD. 康揚塑膠(東莞)有限公司 KANG YANG PLASTIC(DONG GUAN) CO., LTD. ISO 9001 ISO 14001 QC 080000 康哲電腦配件(吳江)有限公司 KANG CHE COMPUTER COMPONENTS(WUJIANG) CO., LTD. | | | | TITLE | SPACER SUPPORT | SPEC. DWG. | |
| | | | | MATERIAL | NYLON 66 UL94V-2 | DATE | 2000.03.20 |
| | | | | HARDNESS | | DRAWN | AMY |
| PART NUMBER | SEE ABOVE | DRAWING NUMBER | SS2-HH | COLOR | NATURAL | CHECK |  |
| SIZE | A4 | SCALE | NONE | UNIT | mm | REV | C |
| | | | | UNLESS OTHERWISE SPECIFIED TOLERANCE | SEE ABOVE | APPROVED |  |