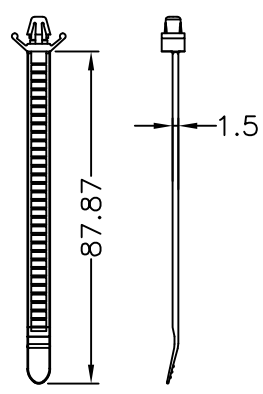
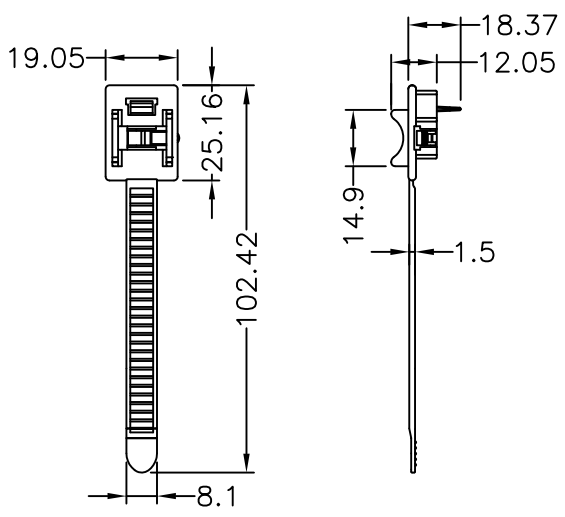


HOLE : G  
THICKNESS: T



PART NO.	G	T
SWPL-16	4.8	0.8~2.0

其餘同目錄尺寸

NOTE: A, D