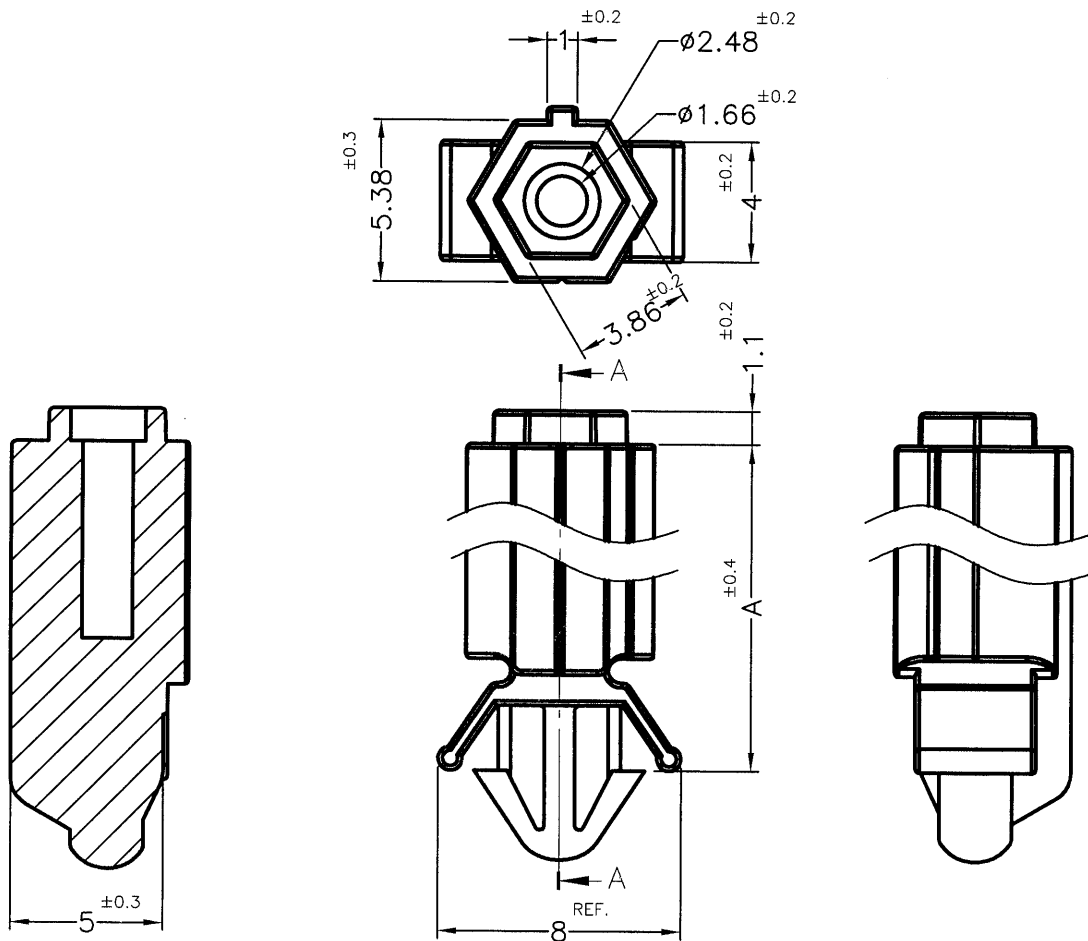


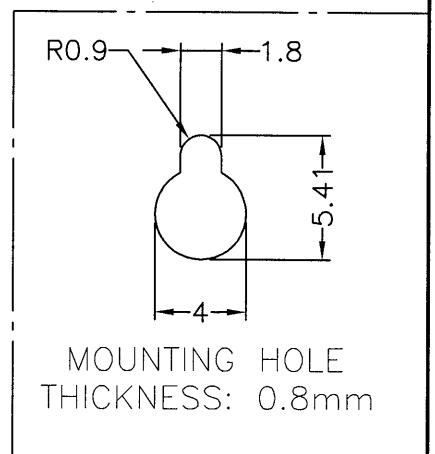
REVISIONS			
REV	DESCRIPTION	DATE	BY



SECTION A-A

PART NO.	A
TCBE-8.7	10.9
TCBE-13.7	15.9

NOTE: 1. NOTE: SHRINKING IS NORMAL STATUS.
 內縮為正常現象。
 2. MADE OF EQUIVALENT MATERIAL.
 均可使用同等材質。



康揚企業股份有限公司 KANG YANG HARDWARE ENTERPRISE CO., LTD. 康揚塑膠(東莞)有限公司 KANG YANG PLASTIC(DONG GUAN) CO., LTD. 康哲電腦配件(吳江)有限公司 KANG CHE COMPUTER COMPONENTS(WUJIANG) CO., LTD.				TITLE	SPACER SUPPORT	SPEC. DWG.
				MATERIAL	NYLON 66 UL94V-2	DATE
PART NUMBER		DRAWING NUMBER	COLOR	FINISH	DRAWN	L.K.J.
SEE ABOVE		TCBE-H	NATURAL		CHECK	
SIZE	SCALE	UNIT	REV	UNLESS OTHERWISE SPECIFIED TOLERANCE	APPROVED	
A4	4:1	mm	A	SEE ABOVE		