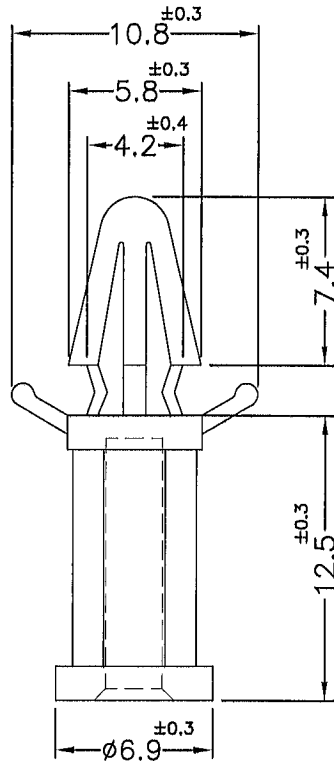
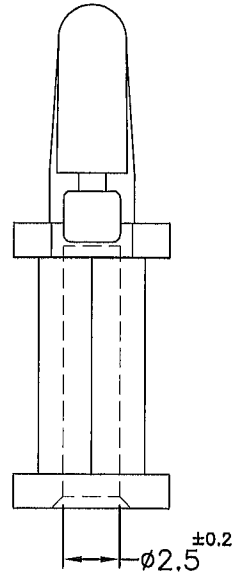


REVISIONS			
REV	DESCRIPTION	DATE	BY


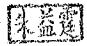
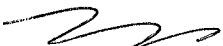


HOLE IN P.C.B  $\phi 4.0$   
P.C.B THICKNESS 1.2~1.7



FOR M3 SELF TAPPED SCREW

NOTE:MADE OF EQUIVALENT MATERIAL.  
可使用同等材質

 <p>康揚企業股份有限公司 KANG YANG HARDWARE ENTERPRISE CO., LTD. 康揚塑膠(東莞)有限公司 KANG YANG PLASTIC(DONG GUAN) CO.,LTD. 康哲電腦配件(吳江)有限公司 KANG CHE COMPUTER COMPONENTS(WUJIANG) CO.,LTD.</p>	TITLE		SPACER SUPPORT		SPEC. DWG.		
	MATERIAL		NYLON 66 UL94V-2		DATE		2014.08.07
	FINISH				DRAWN		ROBERT
	COLOR		NATURAL		CHECK		
PART NUMBER		DRAWING NUMBER		UNLESS OTHERWISE SPECIFIED TOLERANCE		APPROVED	
TCBS-12.5		TCBS-12.5		SEE ABOVE			
SIZE	SCALE	UNIT	REV				
A4	3:1	mm	A				