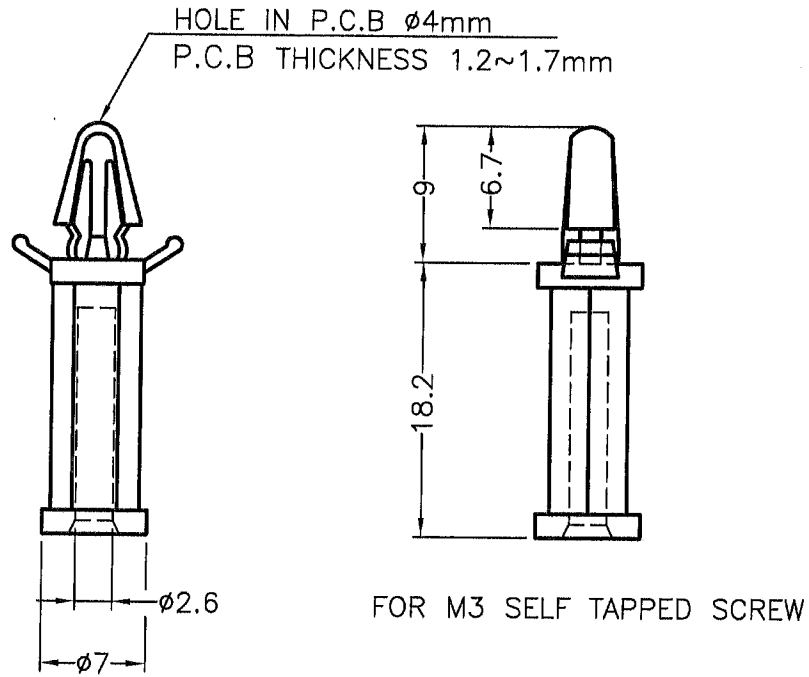



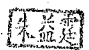
DIM.	TOL.
5mm DOWN	±0.2
5~20mm	±0.3
20~40mm	±0.4
40~60mm	±0.5
60~100mm	±0.8
100mm UP	±1.0

REVISIONS			
REV	DESCRIPTION	DATE	BY



PART NO.	COLOR
TCBS-18	NATURAL
TCBS-18(B)	BLACK

NOTE: All measurement does not include gate which raises under 0.3mm.

 康揚企業股份有限公司 KANG YANG HARDWARE ENTERPRISE CO., LTD. 康揚塑膠(東莞)有限公司 KANG YANG PLASTIC(DONG GUAN) CO., LTD. 康哲電腦配件(吳江)有限公司 KANG CHE COMPUTER COMPONENTS(WUJIANG) CO., LTD.				TITLE	SPACER SUPPORT	SPEC. DWG
				MATERIAL	NYLON 66 UL94V-2	DATE
PART NUMBER		DRAWING NUMBER	COLOR	FINISH	DRAWN	
SEE ABOVE		TCBS-18	SEE ABOVE		AMY	
SIZE	SCALE	UNIT	REV	UNLESS OTHERWISE SPECIFIED TOLERANCE	CHECK	
A4	2:1	mm	A	SEE ABOVE		
				APPROVED	Kang	