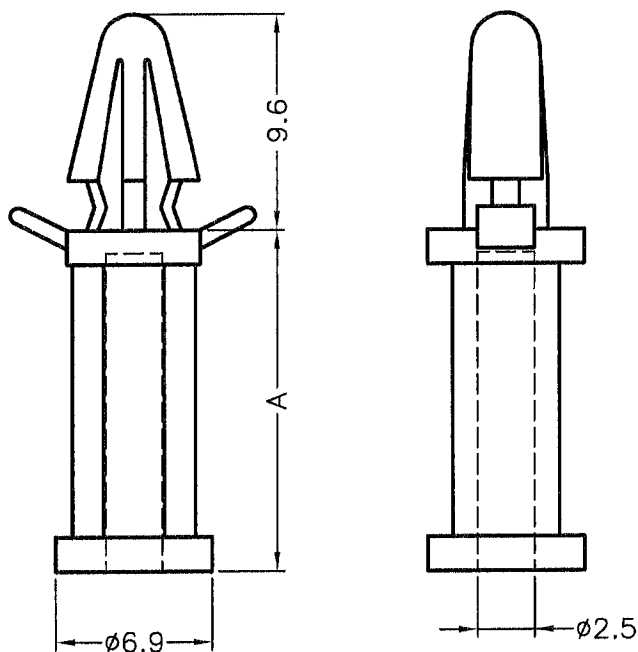


DIM.	TOL.
5mm DOWN	±0.2
5~20mm	±0.3
20~40mm	±0.4
40~60mm	±0.5
60~100mm	±0.8
100mm UP	±1.0


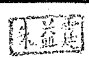
REVISIONS			
REV	DESCRIPTION	DATE	BY

HOLE IN P.C.B  $\phi 4.0$   
P.C.B THICKNESS 1.6



PART NO.	A
TCBS-5	5.0
TCBS-6	6.35
TCBS-7	7.0
TCBS-10	10.0
TCBS-15	15.0
TCBS-19	19.0
TCBS-20	20.0
TCBS-25	25.0
TCBS-26	26.0
TCBS-30	30.0
TCBS-35	35.0

FOR M3 SELF TAPPED SCREW

 康揚企業股份有限公司 KANG YANG HARDWARE ENTERPRISE CO., LTD. 康揚塑膠(東莞)有限公司 KANG YANG PLASTIC(DONG GUAN) CO., LTD. ISO 9001 ISO 14001 QC 080000 康哲電腦配件(吳江)有限公司 KANG CHE COMPUTER COMPONENTS(WUJIANG) CO., LTD.		TITLE	SPACER SUPPORT	SPEC. DWG.
		MATERIAL	NYLON 66 UL94V-2	DATE
PART NUMBER		FINISH	DRAWN	JASON
SEE ABOVE		COLOR	CHECK	
DRAWING NUMBER		UNLESS OTHERWISE SPECIFIED TOLERANCE	APPROVED	Kang
TCBS-		SEE ABOVE		
SIZE	SCALE	UNIT	REV	
A4	3:1	mm	B	