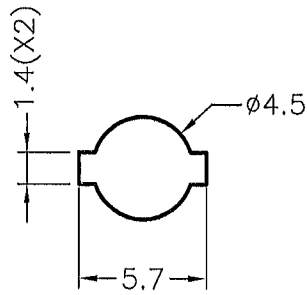
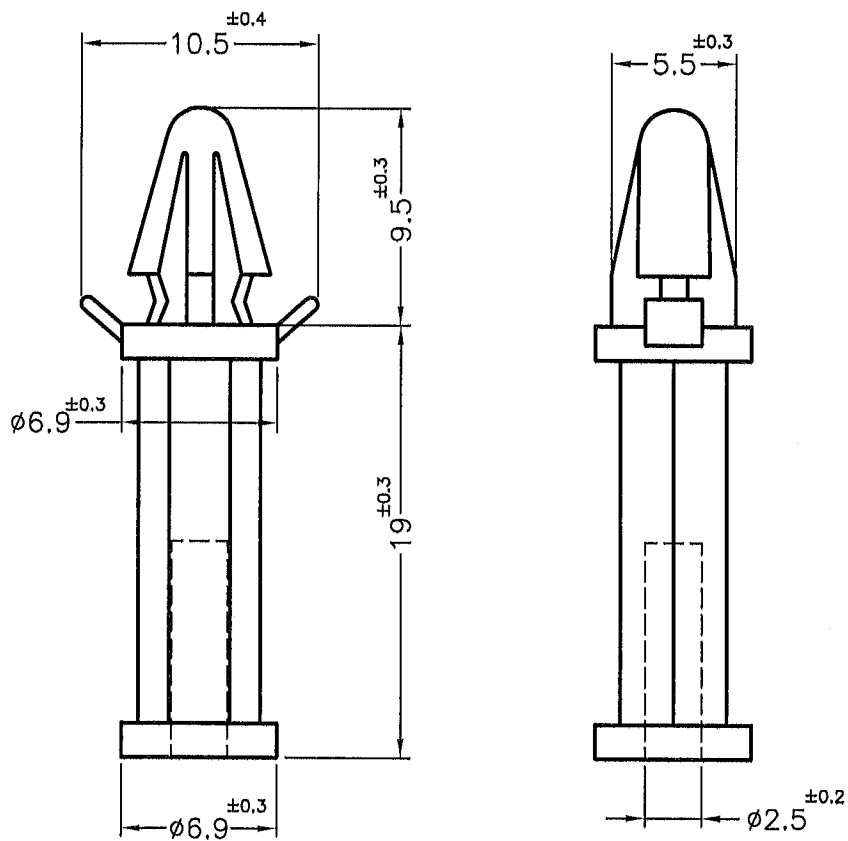





REVISIONS			
REV	DESCRIPTION	DATE	BY



HOLE IN P.C.B
P.C.B THICKNESS 1.2~1.9mm



NOTE:MADE OF EQUIVALENT MATERIAL.
可使用同等材質.

 康揚企業股份有限公司 KANG YANG HARDWARE ENTERPRISE CO., LTD. 康揚塑膠(東莞)有限公司 KANG YANG PLASTIC(DONG GUAN) CO., LTD. 康哲電腦配件(吳江)有限公司 KANG CHE COMPUTER COMPONENTS(WUJIANG) CO., LTD.		TITLE	SPACER SUPPORT	SPEC. DWG.
		MATERIAL	NYLON 66 UL94V-2	DATE
PART NUMBER		FINISH	DRAWN	JOHNNY
TCBT-19		COLOR	CHECK	
DRAWING NUMBER		UNLESS OTHERWISE SPECIFIED TOLERANCE	APPROVED	
TCBT-19	TCBT-19	SEE ABOVE		
SIZE	SCALE	UNIT	REV	
A4	3:1	mm	A	