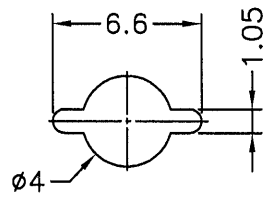
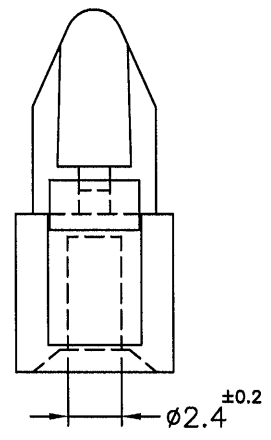
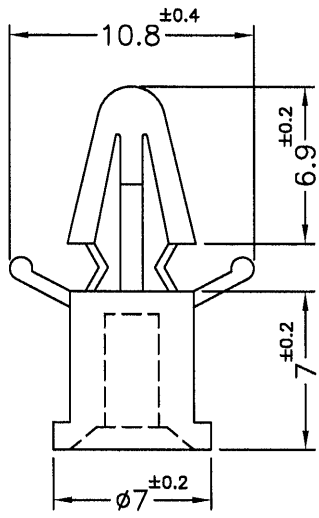




REVISIONS			
REV	DESCRIPTION	DATE	BY



HOLE IN PCB  
PCB THICKNESS 1.2~1.7

NOTE: MADE OF EQUIVALENT MATERIAL.  
均可使用同等材質。

 <p>康揚企業股份有限公司 KANG YANG HARDWARE ENTERPRISE CO., LTD. 康揚塑膠(東莞)有限公司 KANG YANG PLASTIC(DONG GUAN) CO., LTD. 康哲電腦配件(吳江)有限公司 KANG CHE COMPUTER COMPONENTS(WUJIANG) CO., LTD.</p>		TITLE SPACER SUPPORT	SPEC. DWG.
		MATERIAL NYLON 66 UL94V-2	DATE 2008.04.23
		FINISH	DRAWN BUNNY
		COLOR NATURAL	CHECK 
PART NUMBER TCBT-7	DRAWING NUMBER TCBT-7	UNLESS OTHERWISE SPECIFIED TOLERANCE SEE ABOVE	
SIZE A4	SCALE 3:1	UNIT mm	REV A
		APPROVED 