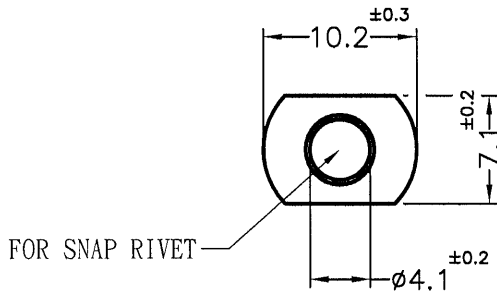
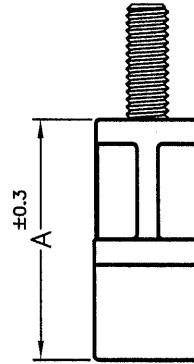
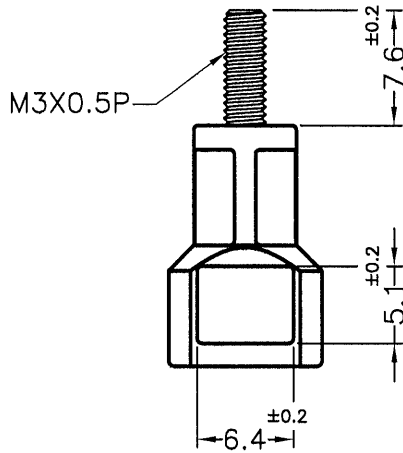

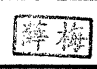



REVISIONS			
REV	DESCRIPTION	DATE	BY



PART NO.	A
TCEB3-12.7	12.7
TCEB3-15.9	15.9
TCEB3-19.1	19.1
TCEB3-22.2	22.2
TCEB3-25.4	25.4

NOTE:MADE OF EQUIVALENT MATERIAL.
均可使用同等材質.

 康揚企業股份有限公司 KANG YANG HARDWARE ENTERPRISE CO., LTD. 康揚塑膠(東莞)有限公司 KANG YANG PLASTIC(DONG GUAN) CO., LTD. 康哲電腦配件(吳江)有限公司 KANG CHE COMPUTER COMPONENTS(WUJIANG) CO., LTD.		TITLE SPACER SUPPORT	TITLE SPEC. DWG.
		MATERIAL NYLON 66 UL94V-2	DATE 2016.11.01
PART NUMBER SEE ABOVE		FINISH	DRAWN Y.C.P
DRAWING NUMBER TCEB3-H		COLOR NATURAL	CHECK 
SIZE A4	SCALE 2:1	UNLESS OTHERWISE SPECIFIED TOLERANCE SEE ABOVE	APPROVED 
UNIT mm	REV A		